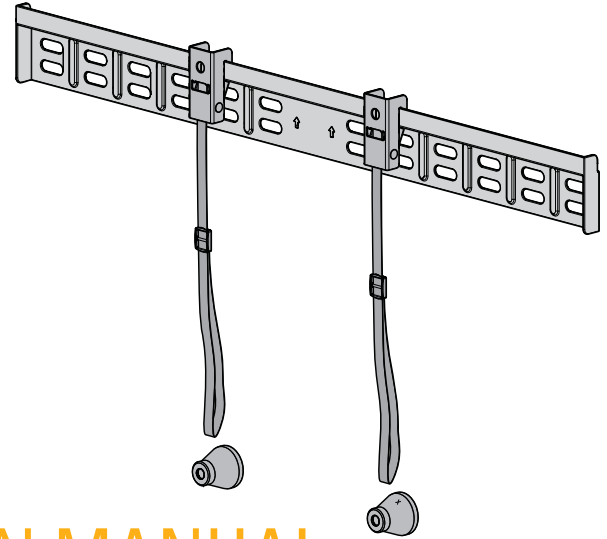


SECURA



QLL22 INSTRUCTION MANUAL

We'll Make It Stress-Free

If you have any questions along the way, just give us a call.
1-800-359-5520. (UK: 0800 056 2853) We're ready to help!



Before getting started, let's make sure this mount is perfect for you!

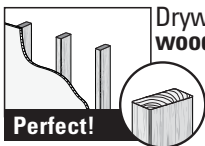
1 Does your TV (including accessories) weigh **MORE** than 100 lbs. (45.3 kg)?



No? Perfect – you may continue.
Yes? This mount is NOT compatible. Visit secura-av.com or call 1-800-359-5520 (UK: 0800 056 2853) to find a compatible mount.

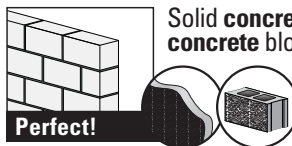
CAUTION: DO NOT exceed the maximum weight indicated. This mounting system is intended for use only with the maximum weights indicated. Use with products heavier than the maximum weights indicated may result in collapse of the mount and its accessories, causing possible injury.

2 What is your wall made of?



Drywall with wood studs?

CAUTION:
DO NOT install into drywall alone



Solid concrete or concrete block?

? **Unsure?**
Call Customer Service:
1-800-359-5520
(UK: 0800 056 2853)

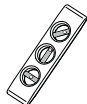
3 Do you have all the tools needed?



Tape Measure



Pencil



Level



Screw driver



Electric Drill



1/2 in. (13 mm) Socket Wrench

Wood Stud Install



Stud Finder



Awl



7/32 in. (5.5 mm) Wood Drill Bit

Concrete Install



3/8 in. (10 mm) Masonry Drill Bit



Hammer

4 Ready to begin?

Please read through these instructions completely to be sure you're comfortable with this easy install process. Also check your TV owner's manual to see if there are any special requirements for mounting your TV.

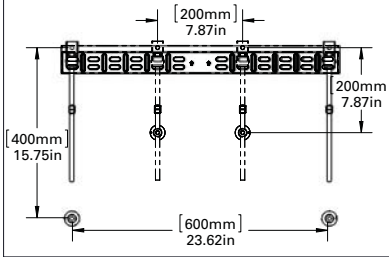
If you do not understand these instructions or have doubts about the safety of the installation, assembly or use of this product, contact Customer Service at 1-800-359-5520 (UK: 0800 056 2853).

CAUTION: Avoid potential personal injury or property damage!

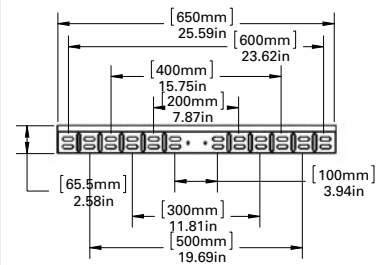
- This product is designed for use in wood stud, solid concrete, and concrete block walls - DO NOT install into drywall alone
- The wall must be capable of supporting five times the weight of the TV and mount combined
- Do not use this product for any purpose not explicitly specified by manufacturer
- Manufacturer is not responsible for damage or injury caused by incorrect assembly or use

Dimensions

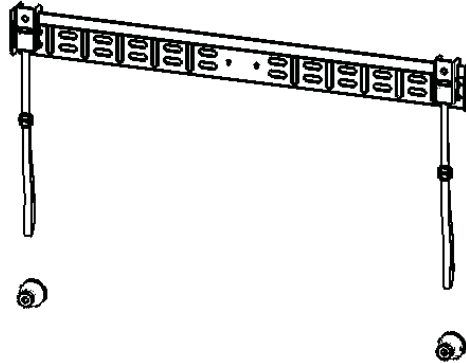
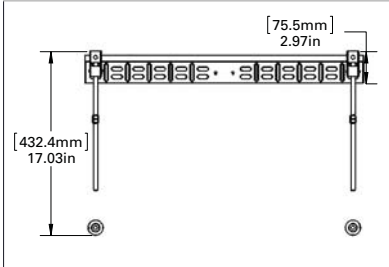
TV INTERFACE



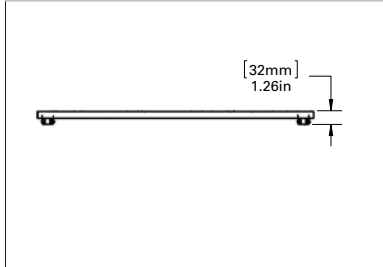
WALL PLATE



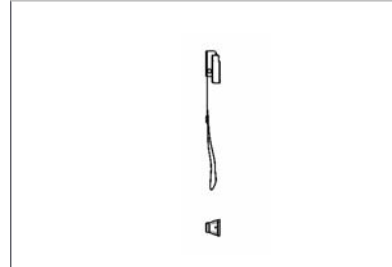
FULLY ASSEMBLED MOUNT



TOP VIEW - RETRACTED



SIDE VIEW - RETRACTED



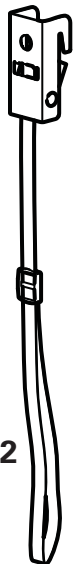
Parts and Hardware

⚠ WARNING: This product contains small items that could be a choking hazard if swallowed. Before starting assembly, verify all parts are included and undamaged. If any parts are missing or damaged, do not return the damaged item to your dealer; contact Customer Service. Never use damaged parts!

📄 NOTE: Not all hardware included will be used.

Parts and Hardware for STEP 1

TV Brackets

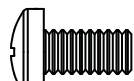


01 x2

TV Standoff

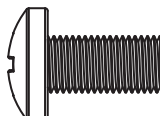


02 x2



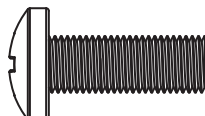
M6 x 12mm

03 x4



M8 x 16mm

04 x4



M8 x 20mm

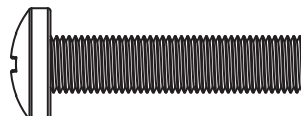
05 x4

TV Screws



M6 x 35mm

06 x4



M8 x 35mm

07 x4

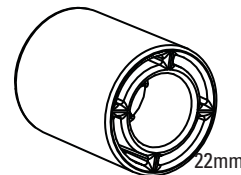
Washers



M6/M8

08 x4

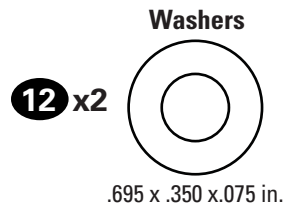
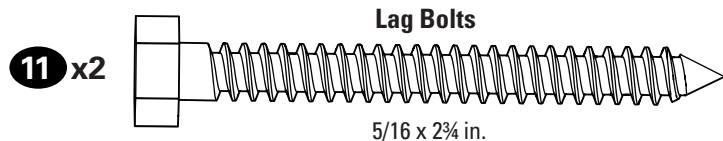
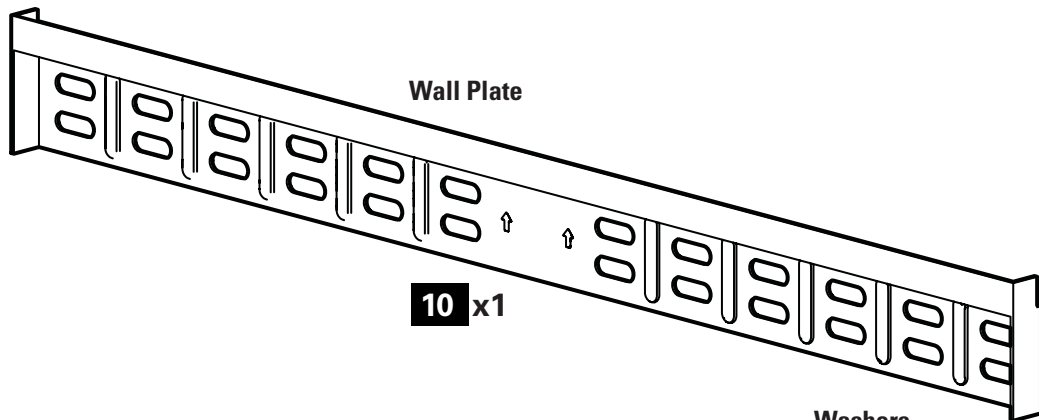
Spacers



09 x4

22mm

Parts and Hardware for STEP 2



For concrete installations ONLY

⚠ CAUTION: Do not use in drywall or wood
Concrete Anchors

13 x2

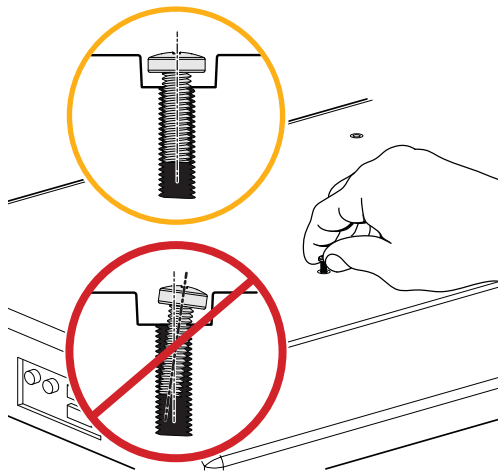


Fischer UX 10 x 60R

STEP 1 Attach Brackets to TV

1.1 Select TV Screw Diameter

Hand thread screws into the threaded inserts on the back of your TV to determine which screw diameter (M6, or M8) to use.

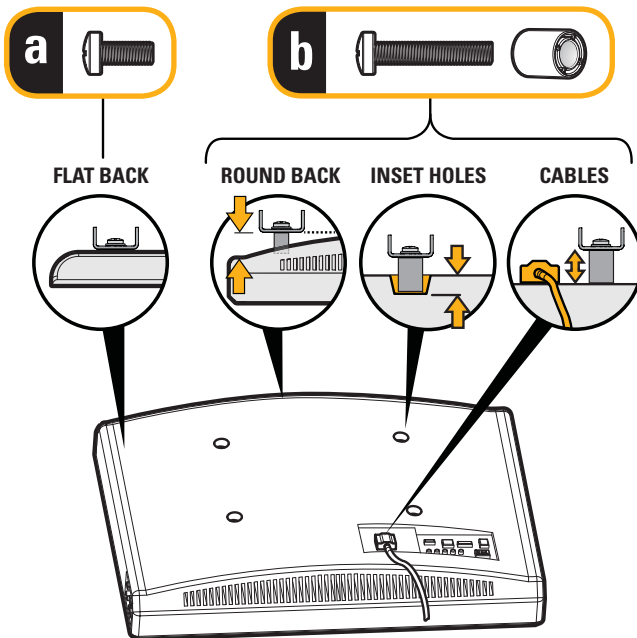


1.2 Select TV Screw Length

If your TV has a flat back AND you want your TV closer to the wall, use the shorter screws (a).

Use the spacers and longer screws (b) to accommodate:

- Round/irregular back TVs
- TVs with inset mounting holes
- Extra space needed for cables

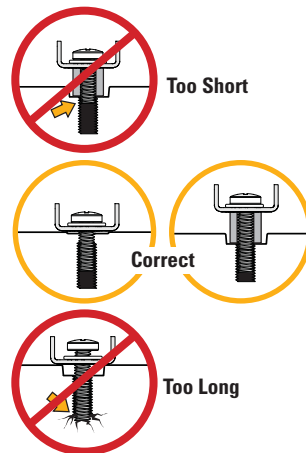


Standard configurations are shown. For special applications, or if you are uncertain about your hardware selection, contact Customer Service at 1-800-359-5520.

⚠ CAUTION:

Verify adequate thread engagement with your screw/washer/spacer combination AND TV bracket.

- Too short will not hold the TV.
- Too long will damage the TV.

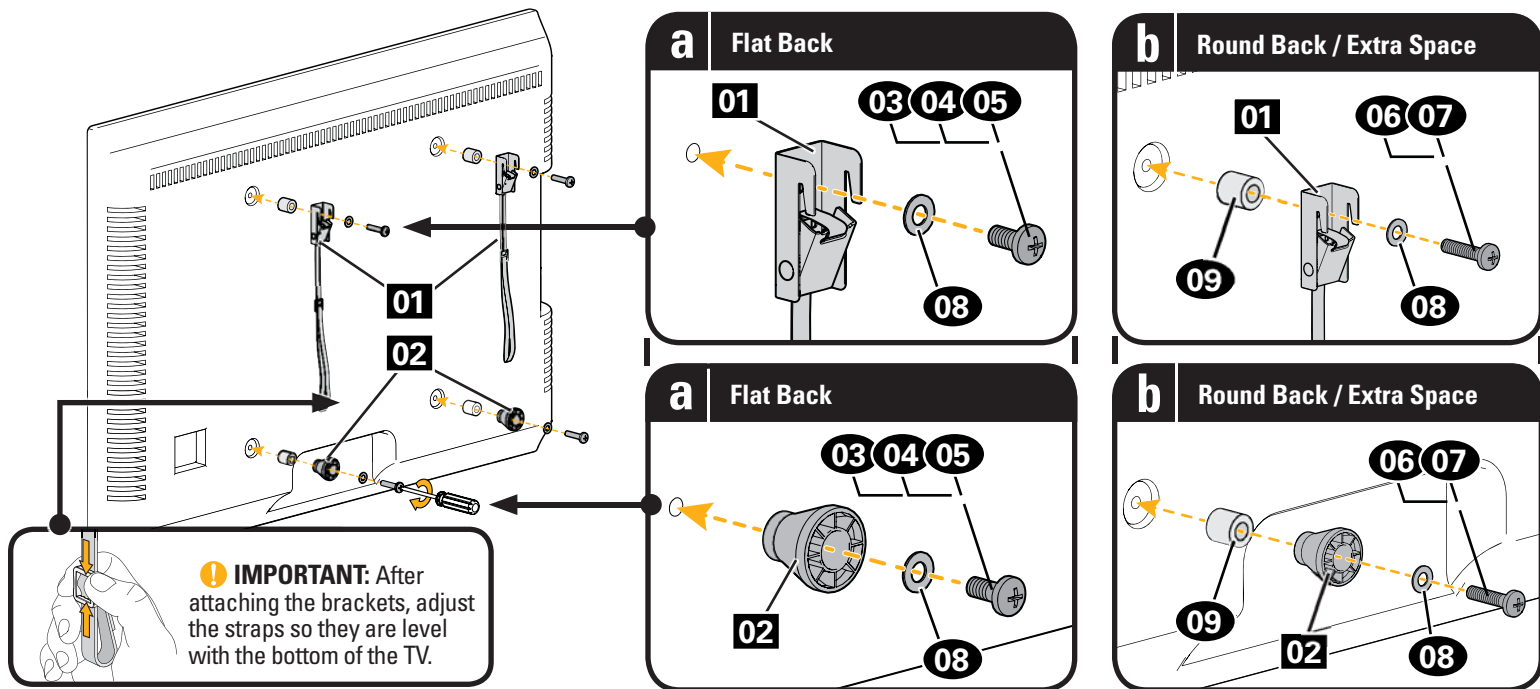


1.3 Attach TV Brackets

Install TV brackets **01** and TV standoffs **02** onto your TV as shown, using the TV screw/washer/spacer configuration you selected for your TV.

⚠ CAUTION: Avoid potential personal injuries and property damage! DO NOT use power tools for this step. Tighten the screws only enough to secure the TV bracket to the TV. DO NOT overtighten the screws.

❗ IMPORTANT: Ensure TV bracket is securely fastened before moving on to the next step.



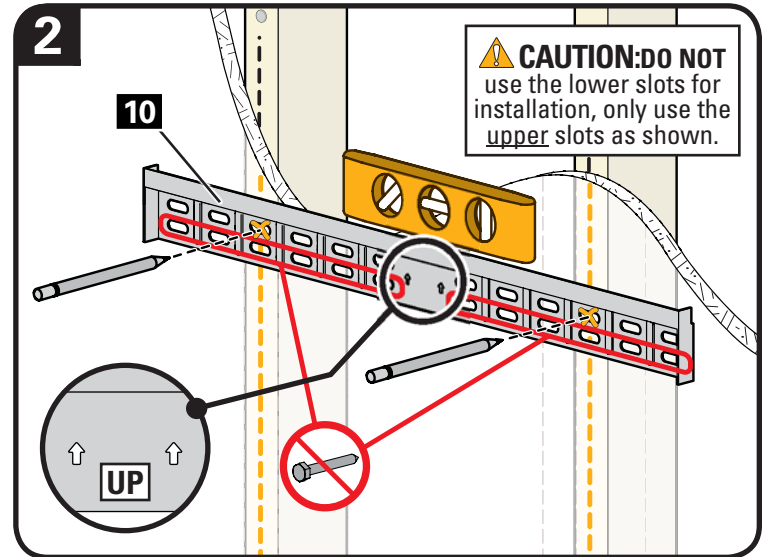
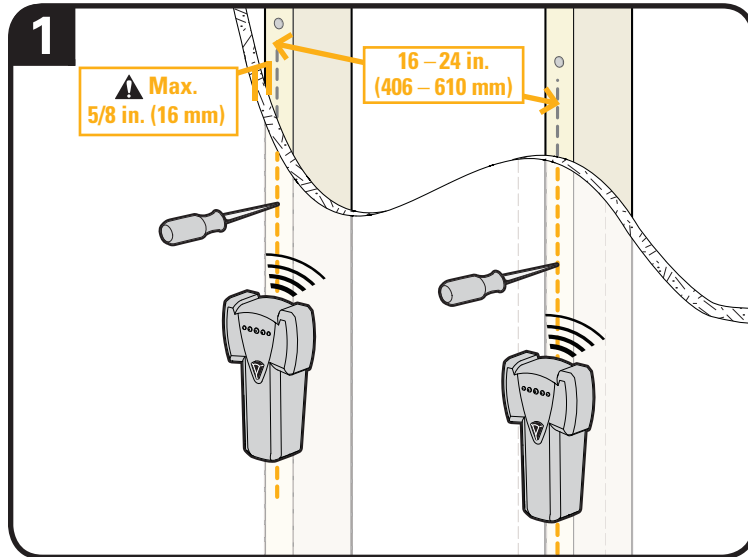
STEP 2A Attach Wall Plate to Wall

Wood Stud Option

⚠ CAUTION: Avoid potential personal injury or property damage!

- Drywall covering the wall must not exceed 5/8 in. (16 mm)
- Minimum wood stud size: common 2 x 4 in. (51 x 102 mm) nominal 1 1/2 x 3 1/2 in. (38 x 89 mm)
- Minimum horizontal space between fasteners: 16 in. (406 mm)
- **DO NOT** use the lower slots for installation, only use the upper slots as shown

1. Locate your studs. Verify and mark the center of the stud by finding the stud edges using an awl, a thin nail, or an edge to edge stud finder.
2. Position the wall plate **10** at your desired height and line up the holes with your stud center line and level the wall plate **10** and mark the holes.



3. Drill pilot holes using a 7/32 in. (5.5 mm) diameter drill bit.

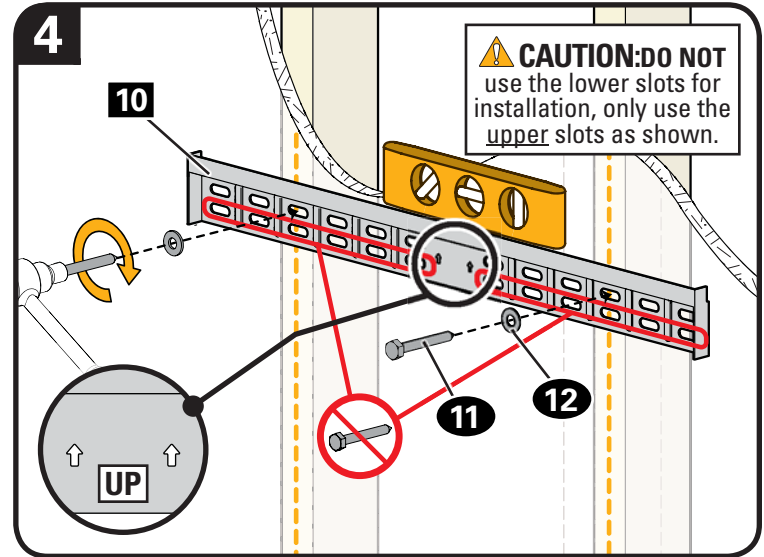
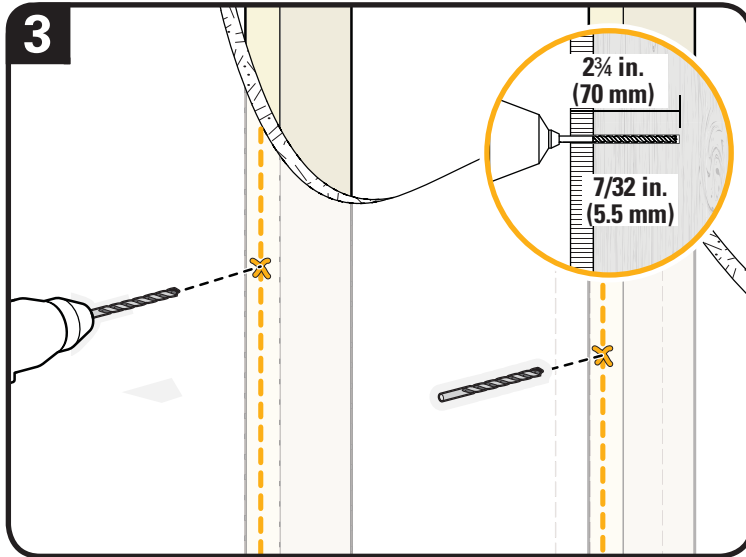
⚠ **IMPORTANT:** Pilot holes must be drilled to a depth of 2¾ in. (70 mm). Be sure to drill into the center of the studs.

4. Install wall plate **10** using two lag bolts **11** and two washers **12**. Tighten the lag bolts only until the washers are pulled firmly against the wall plate.

⚠ **CAUTION:** Improper use could reduce the holding power of the lag bolt. **DO NOT over-tighten the lag bolts.**

⚠ **CAUTION:** Avoid potential personal injury or property damage! All lag bolts MUST BE firmly tightened to prevent unwanted movement of the wall plate **10**. Ensure the wall plate is securely fastened to the wall before continuing on to the next step.

Go to STEP 3 on PAGE 12.



STEP 2B Attach Wall Plate to Wall

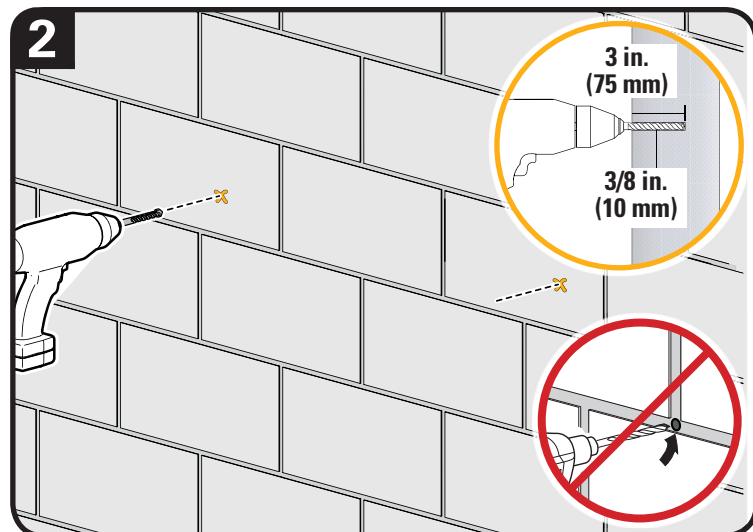
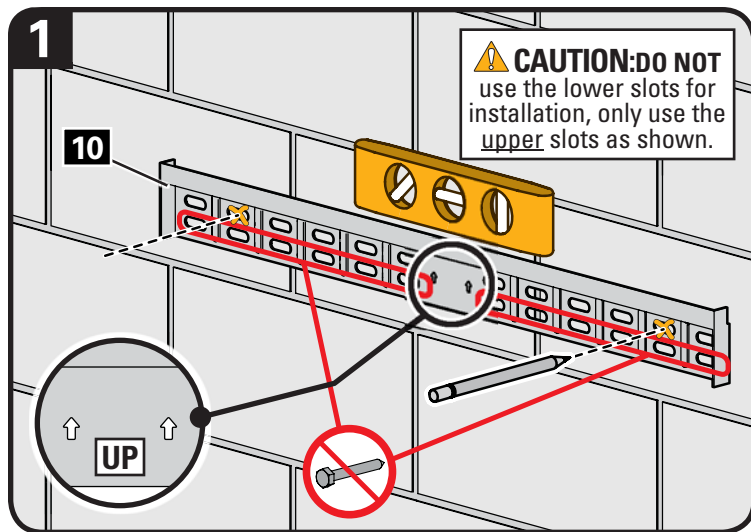
Solid Concrete or Concrete Block Option

⚠ CAUTION: Avoid potential personal injury or property damage!

- Mount the wall plate assembly **10** directly onto the concrete surface
- Minimum **solid concrete** thickness: 8 in. (203 mm)
- Minimum **concrete block** size: 8 x 8 x 16 in. (203 x 203 x 406 mm)
- Minimum horizontal space between fasteners: 16 in. (406 mm)
- **DO NOT** use the lower slots for installation, only use the upper slots as shown

1. Position the wall plate **10** on the wall at your desired height. Level the wall plate **10** and mark the hole locations.
2. Drill four pilot holes using a 3/8 in. (10 mm) diameter masonry drill bit.

⚠ IMPORTANT: Pilot holes must be drilled to a depth of 3 in. (75 mm). Never drill into the mortar between blocks.

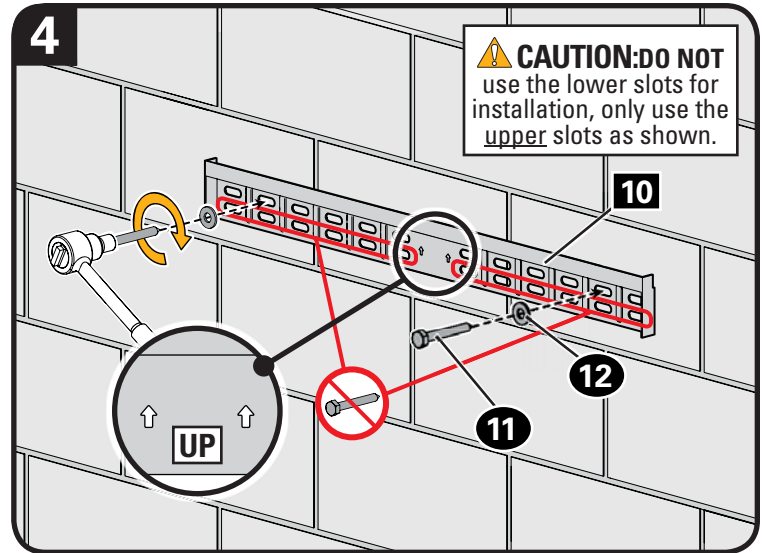
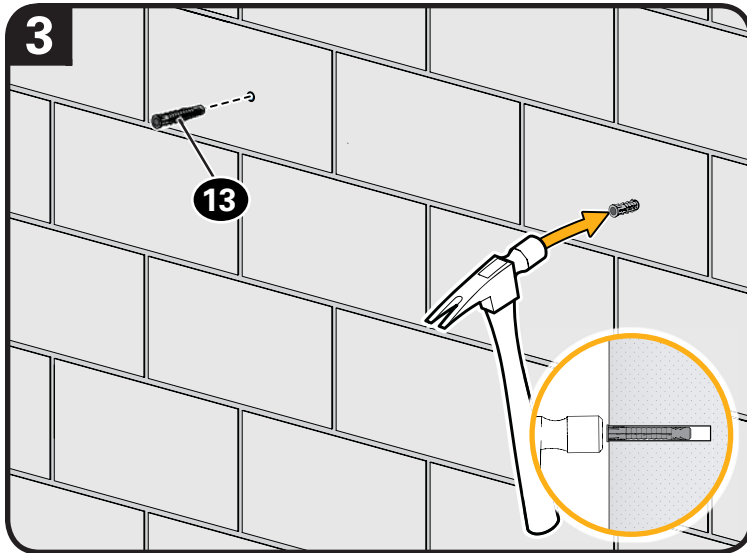


3. Insert two anchors **13**.

⚠ CAUTION: Be sure the anchors are seated flush with the concrete surface.

4. Install wall plate **10** using two lag bolts **11** and washers **12**. Tighten the lag bolts only until they are pulled firmly against the wall plate.

⚠ CAUTION: Improper use could reduce the holding power of the lag bolt. **DO NOT over-tighten the lag bolts.**



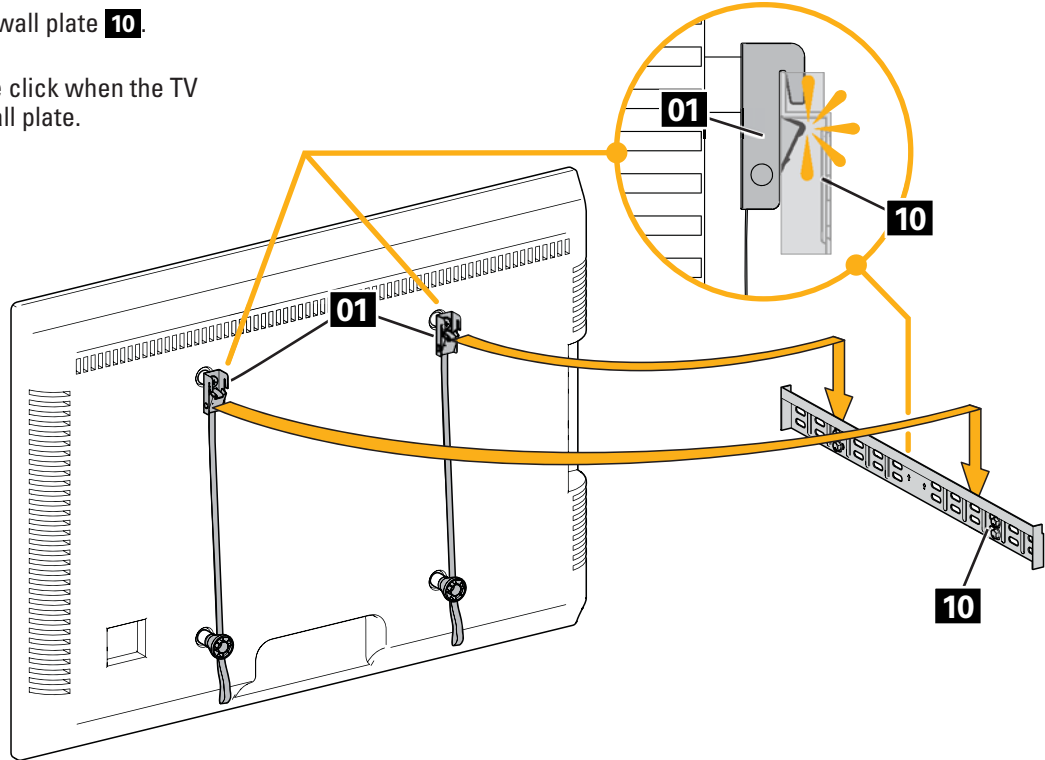
STEP 3 Attach TV to Wall Plate



HEAVY! You may need assistance with this step.

Hang the TV/Bracket assembly onto the wall plate **10**.

! IMPORTANT: You will hear an audible click when the TV brackets are securely fastened to the wall plate.



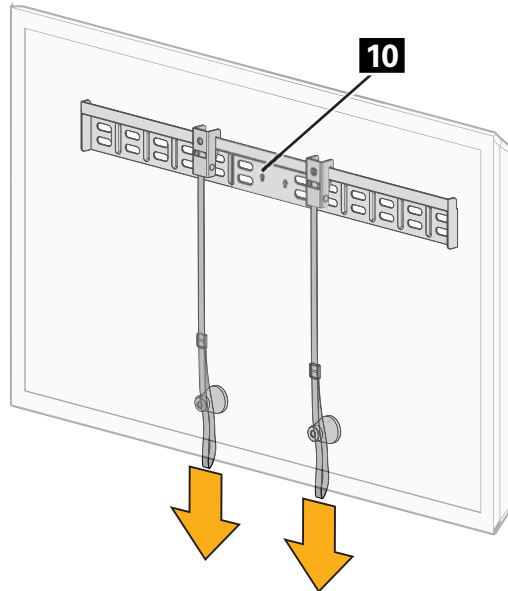
Adjustments



HEAVY! You may need assistance with this step.

To remove the TV from the wall plate:

1. Disconnect all cables from the TV.
2. Pull down and hold the release straps, while pulling the bottom of the TV away from the wall.
3. Lift the TV up and off of wall plate **10**.



SECURA

Thank you for choosing Secura! Please take a moment to let us know how we did:



Email us: info@secura-av.com



Call us: 1-800-359-5520

UK: 0800 056 2853

Milestone AV Technologies and its affiliated corporations and subsidiaries (collectively, "Milestone"), intend to make this manual accurate and complete. However, Milestone makes no claim that the information contained herein covers all details, conditions, or variations. Nor does it provide for every possible contingency in connection with the installation or use of this product. The information contained in this document is subject to change without notice or obligation of any kind. Milestone makes no representation of warranty, expressed or implied, regarding the information contained herein. Milestone assumes no responsibility for accuracy, completeness or sufficiency of the information contained in this document.

©2016 Milestone AV Technologies. All rights reserved. Secura is a brand of Milestone.
All other brand names or marks are used for identification purposes and are trademarks of their respective owners.