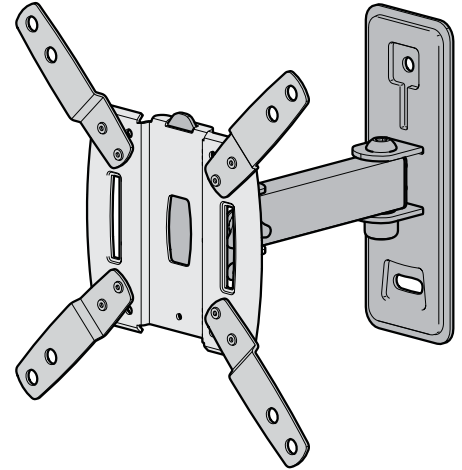


SECURA



QSF207 INSTRUCTION MANUAL

We'll Make It Stress-Free

If you have any questions along the way, just give us a call.
1-800-359-5520. (UK: 0800 056 2853) We're ready to help!

Before getting started, let's make sure this mount is perfect for you!

1 Does your TV (including accessories) weigh MORE than 25 lbs. (11.3 kg)?

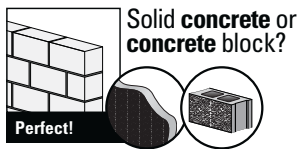
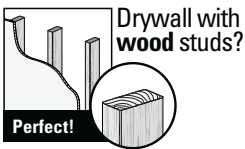


No? Perfect – you may continue.
Yes? This mount is NOT compatible. Visit secura-av.com or call 1-800-359-5520 (UK: 0800 056 2853) to find a compatible mount.

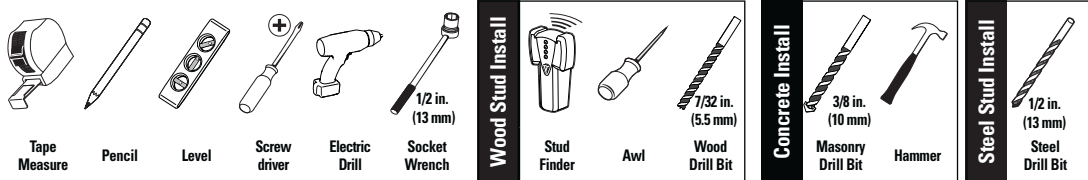
CAUTION: DO NOT exceed the maximum weight indicated. This mounting system is intended for use only with the maximum weights indicated. Use with products heavier than the maximum weights indicated may result in collapse of the mount and its accessories, causing possible injury.

2 What is your wall made of?

CAUTION:
DO NOT install into drywall alone



3 Do you have all the tools needed?



4 Ready to begin?

Please read through these instructions completely to be sure you're comfortable with this easy install process. Also check your TV owner's manual to see if there are any special requirements for mounting your TV.

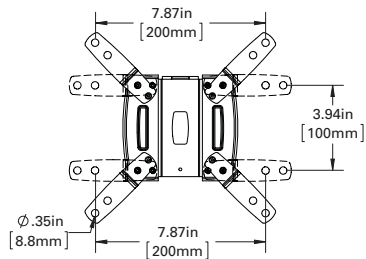
If you do not understand these instructions or have doubts about the safety of the installation, assembly or use of this product, contact Customer Service at 1-800-359-5520 (UK: 0800 056 2853).

CAUTION: Avoid potential personal injury or property damage!

- This product is designed for use in wood stud, steel stud, solid concrete, and concrete block walls - DO NOT install into drywall alone
- The wall must be capable of supporting five times the weight of the TV and mount combined
- Do not use this product for any purpose not explicitly specified by manufacturer
- Manufacturer is not responsible for damage or injury caused by incorrect assembly or use

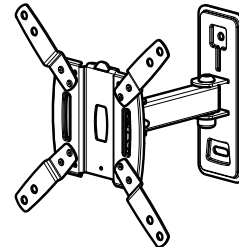
Dimension Specifications

TV INTERFACE

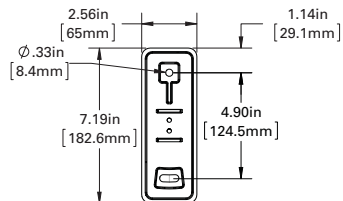


NOTE: TV shifts 4.27 in. (108.6 mm) to the right or left when in the home position. Consider this when selecting the location of your wall mount.

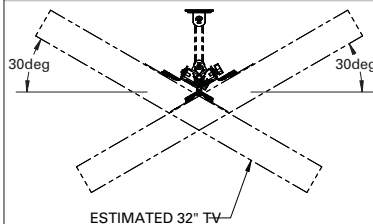
3-D



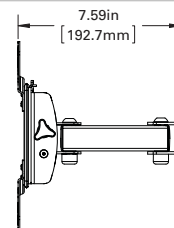
WALL PLATE



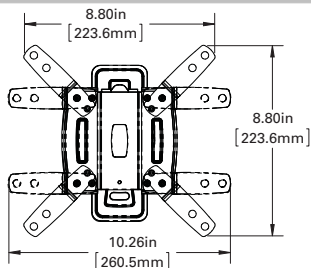
TOP VIEW - EXTENDED



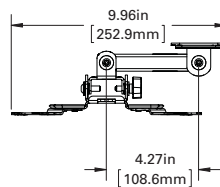
SIDE VIEW - EXTENDED



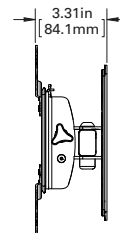
FULLY ASSEMBLED MOUNT



TOP VIEW - RETRACTED



SIDE VIEW - RETRACTED

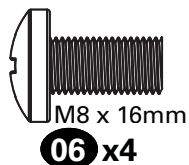
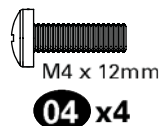
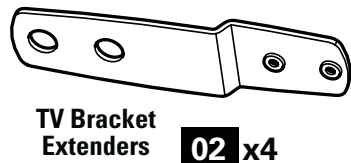
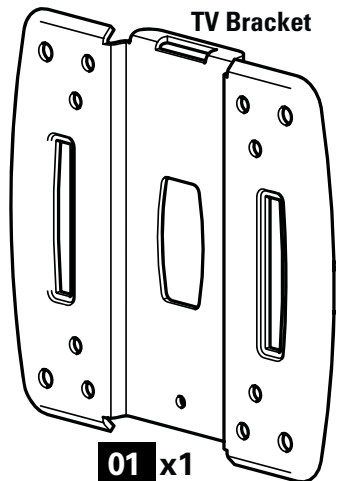


Parts and Hardware

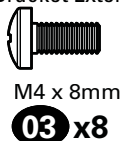
STEP 1 Parts and Hardware

⚠ WARNING: This product contains small items that could be a choking hazard if swallowed. Before starting assembly, verify all parts are included and undamaged. If any parts are missing or damaged, do not return the damaged item to your dealer; contact Customer Service. Never use damaged parts!

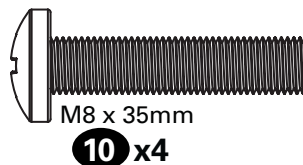
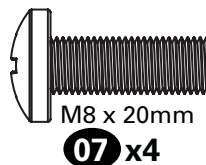
NOTE: Not all hardware included will be used.



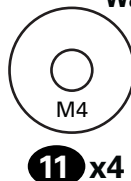
Interface Screws
(TV Bracket Extenders)



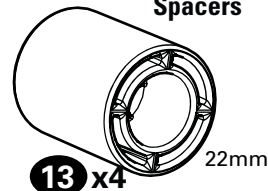
TV Screws



Washers



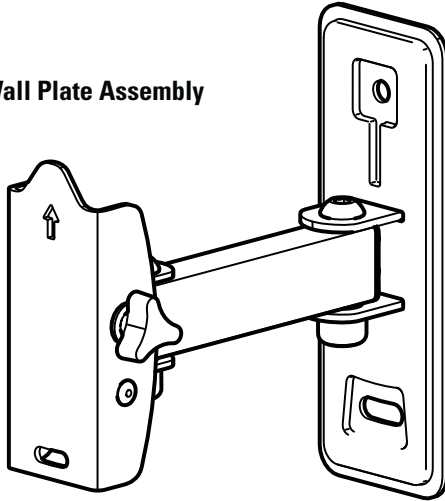
Spacers



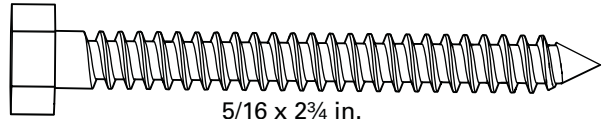
STEP 2 Parts and Hardware

Wall Plate Assembly

14 x1



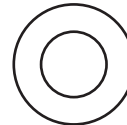
Lag Bolts



5/16 x 2 3/4 in.

15 x2

Washers



.695 x .350 x .075 in.

16 x2

For concrete installations ONLY

⚠ CAUTION: Do not use in drywall or wood
Concrete Anchors

17
x2



Fischer UX 10 x 60R

STEP 3 Hardware

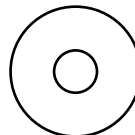
Securement Screw



8-32 x 3/8 in.

18 x1

Securement Washer

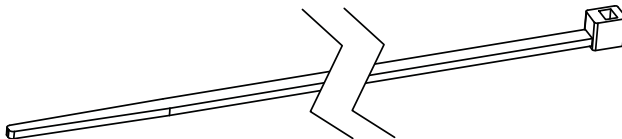


8-32

19 x1

Hardware to Manage Cables

Cable Ties

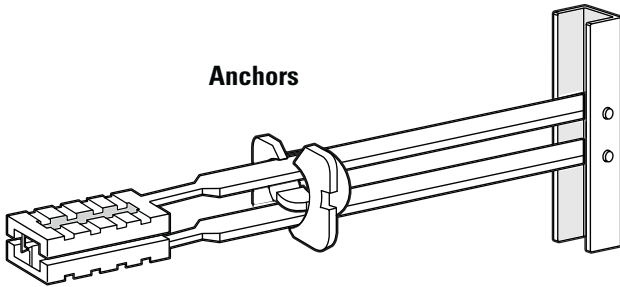


20 x3

Hardware for STEP 2C Steel Stud Installations Only [NOT INCLUDED]

Contact Customer Service at 1-800-359-5520 (UK: 0800 056 2853)
to have these additional pieces shipped directly to you.

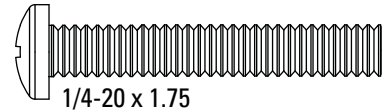
Anchors



1/4-20 SnapToggle BB

S1x2

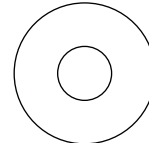
Screws



1/4-20 x 1.75

S2x2

Washers



.734 x .312 x .065 in

S3x2

STEP 1 Attach TV Bracket to TV

1-1 Measure Your TV Hole Pattern

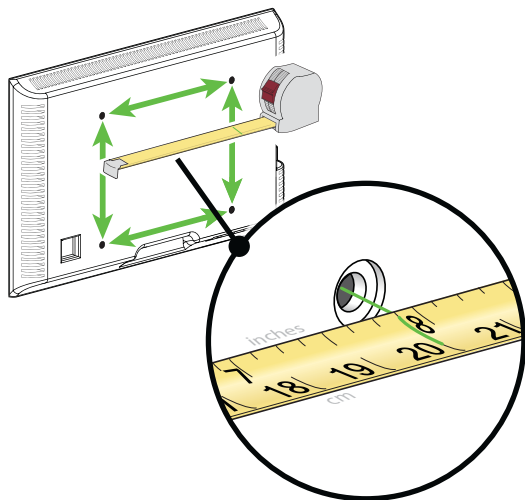
Measure the width and height of your TV hole pattern in cm (see conversion chart below).

Record your measurements:

Width _____ cm x Height _____ cm

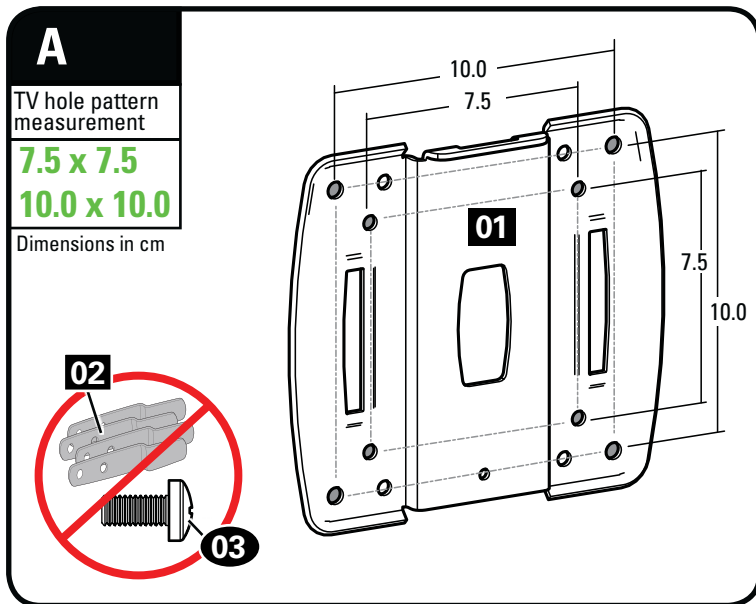
75 mm = 7.5 cm ≈ 3 in.
100 mm = 10 cm ≈ 4 in.
200 mm = 20 cm ≈ 7 7/8 in.

inch dimensions are approximate



1-2 Assemble Your TV Bracket

Determine which TV bracket configuration to use, A, B, or C based on your TV hole pattern measurements.

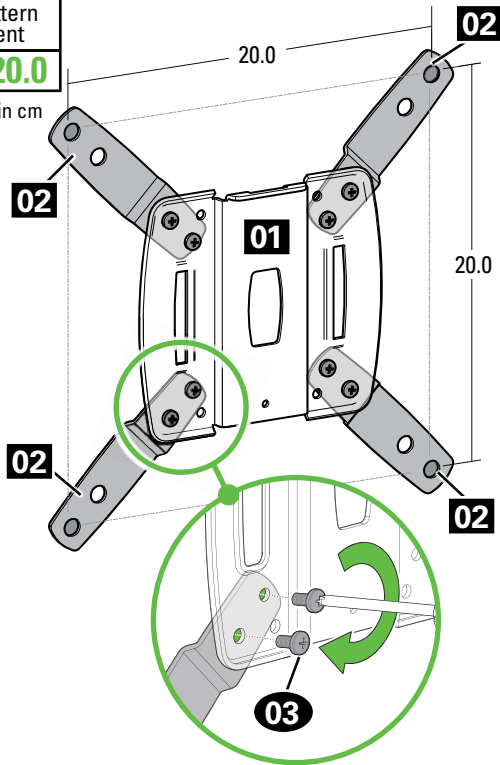


These smaller hole patterns ONLY use TV bracket **01**.

Do not use the four TV bracket extenders **02** and eight screws **03**.

BTV hole pattern
measurement**20.0 x 20.0**

Dimensions in cm

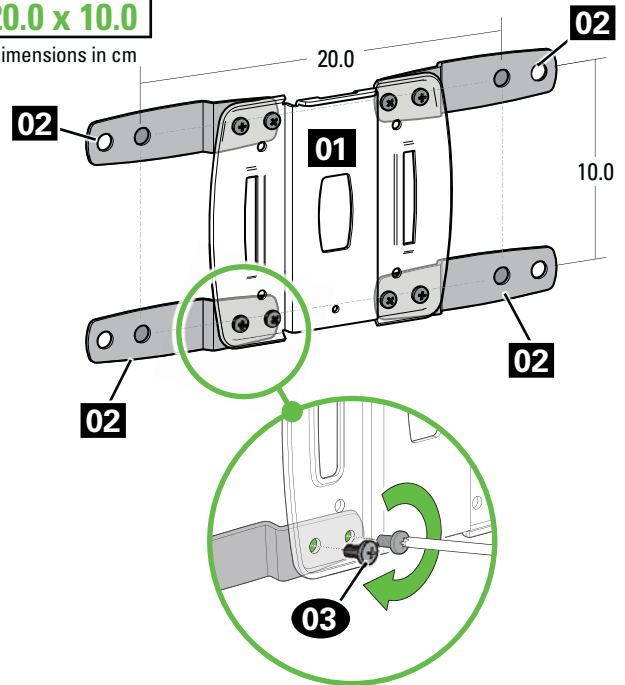


Assemble TV bracket extenders **02** onto TV bracket **01** as illustrated.

Secure using eight screws **03** in the corner holes shown.

CTV hole pattern
measurement**20.0 x 10.0**

Dimensions in cm

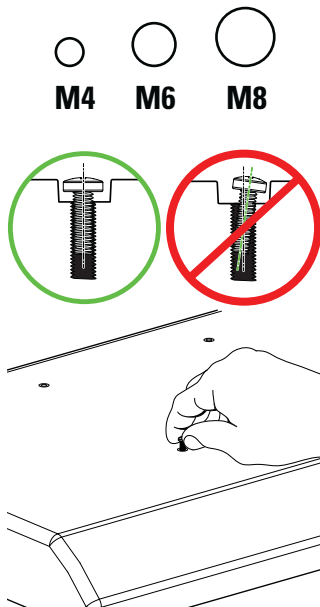


Assemble TV bracket extenders **02** onto TV bracket **01** as illustrated.

Secure using eight screws **03** in the corner holes shown.

1-3 Select TV Screw Diameter

Hand thread screws into the threaded inserts on the back of your TV to determine which screw diameter (M4, M6, or M8) to use.

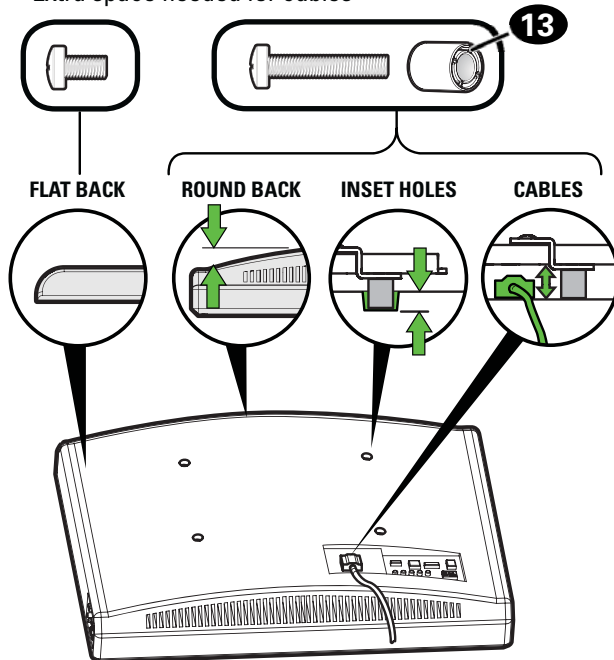


1-4 Select TV Screw Length

If your TV has a flat back AND you want your TV closer to the wall, use the shorter TV screws and no spacers **13**.

Spacers **13** and longer TV screws are supplied to accommodate:

- Round/irregular back TVs
- TVs with inset mounting holes
- Extra space needed for cables

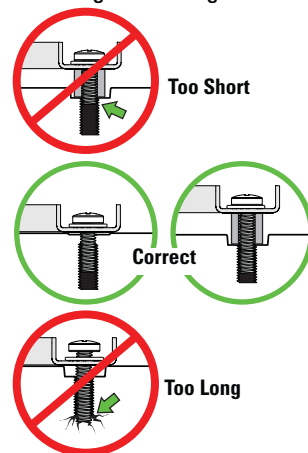


Standard configurations are shown. For special applications, or if you are uncertain about your hardware selection, contact Customer Service at 1-800-359-5520.

⚠ CAUTION:

Verify adequate thread engagement with your screw/washer/spacer combination AND TV bracket (STEP 1-5).

- Too short will not hold the TV.
- Too long will damage the TV.

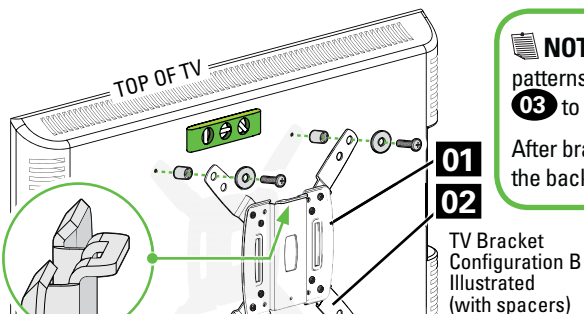


1-5 Attach TV Bracket

Position your TV bracket configuration (A, B, or C) over your TV hole pattern - making sure the bracket is centered over the TV hole pattern and level. Install using the TV screw/washer/spacer configuration you selected for your TV.

⚠ CAUTION: Avoid potential personal injuries and property damage! DO NOT use power tools for this step. Tighten the screws only enough to secure the TV bracket to the TV. DO NOT overtighten the screws.

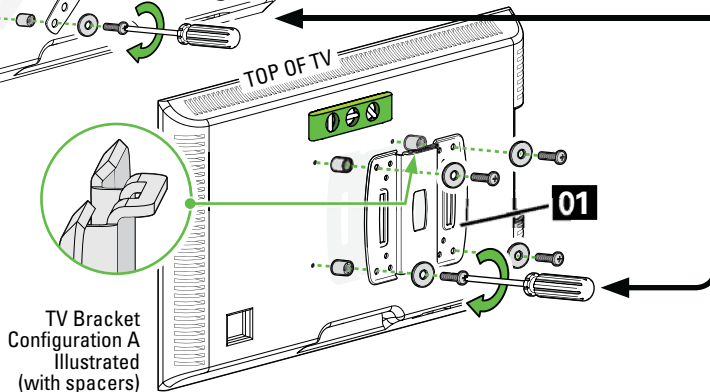
! IMPORTANT: Ensure TV bracket is securely fastened before moving on to the next step.



NOTE: For 20.0 x 20.0 or 20.0 x 10.0 hole patterns, you may need to loosen the screws **03** to align the bracket extenders **02**.

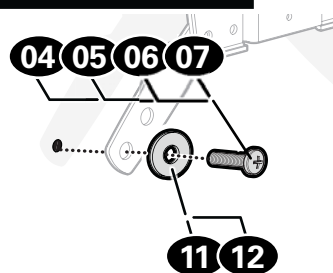
After bracket extenders **02** are secured to the back of your TV, re-tighten screws **03**.

TV Bracket Configuration B Illustrated (with spacers)

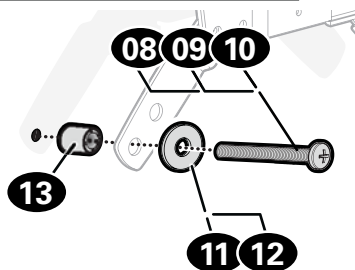


TV Bracket Configuration A Illustrated (with spacers)

Flat Back



Round Back / Extra Space

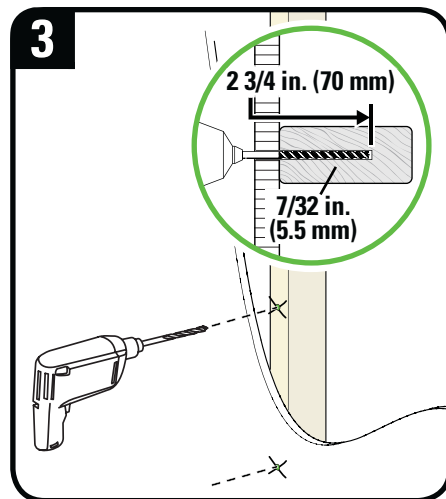
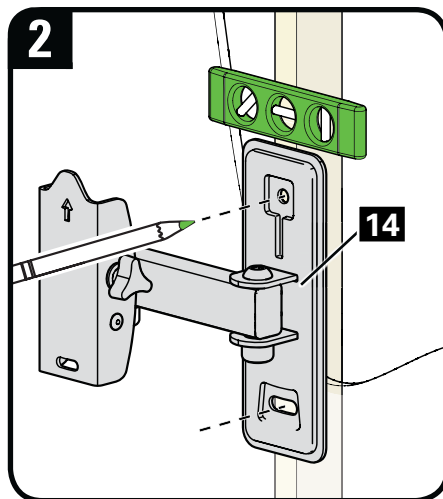
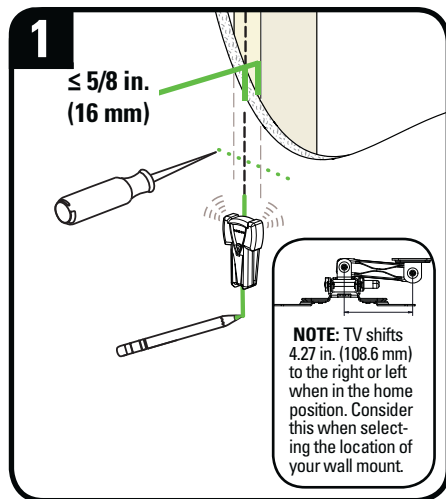


⚠ CAUTION: Avoid potential personal injury or property damage!


- Drywall covering the wall, must not exceed 5/8 in. (16 mm)
- Minimum wood stud size: common 2 x 4 in. (51 x 102 mm) nominal 1½ x 3½ in. (38 x 89 mm)
- Stud center must be verified

1. Locate your stud. Verify and mark the center of the stud by finding the stud edges using an awl, a thin nail, or an edge to edge stud finder.
2. Position the wall plate **14** at your desired height and line up the holes with your stud center line. Level the wall plate **14** and mark the hole locations.
3. Drill pilot holes using a 7/32 in. (5.5 mm) diameter drill bit.

❗ IMPORTANT: Pilot holes must be drilled to a depth of 2 3/4 in. (70 mm). Be sure to drill into the center of the stud.

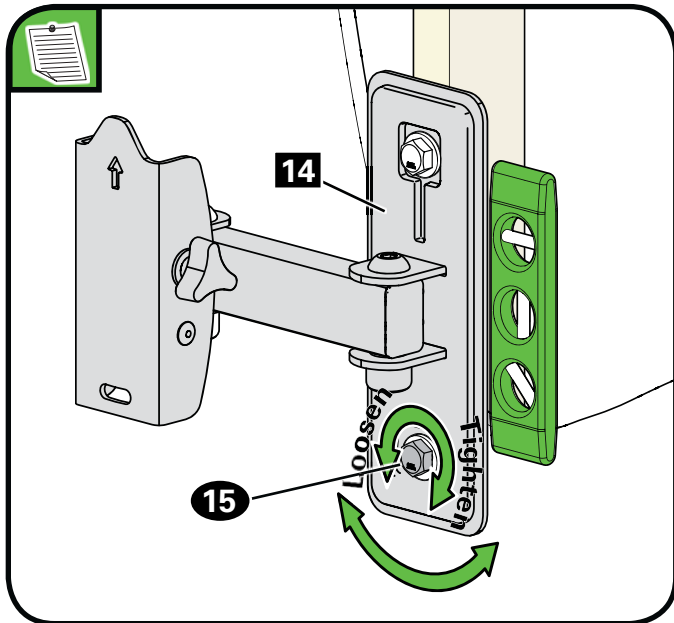
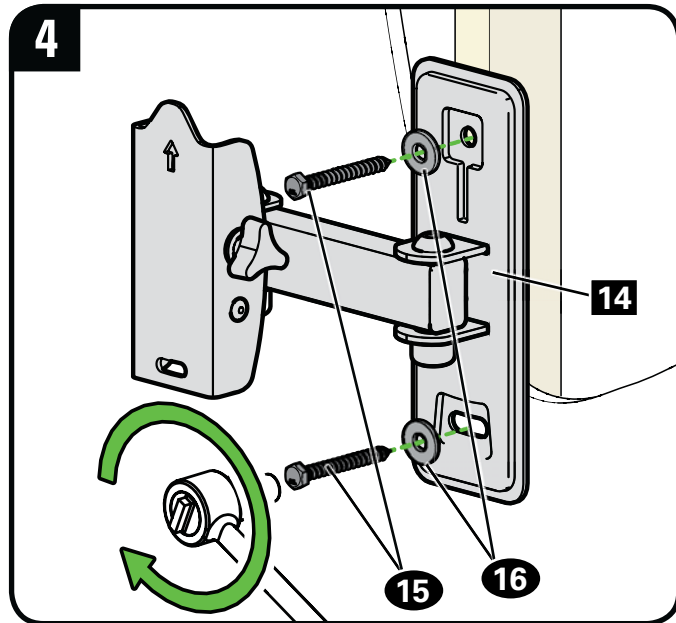


4. Install wall plate assembly **14** using two lag bolts **15** and washers **16**. Tighten the lag bolts only until the washers are pulled firmly against the wall plate.

 **NOTE:** If needed, you can make small level adjustments to the wall plate by loosening the bottom lag bolt **15** and shifting the wall plate until level. Tighten the bottom lag bolt when adjustments are complete.

⚠ CAUTION: Avoid potential personal injury or property damage! Both lag bolts **15** MUST BE firmly tightened to prevent unwanted movement of the wall plate **14**. Ensure the wall plate is securely fastened to the wall before continuing on to the next step.

Go to STEP 3 on PAGE 20.



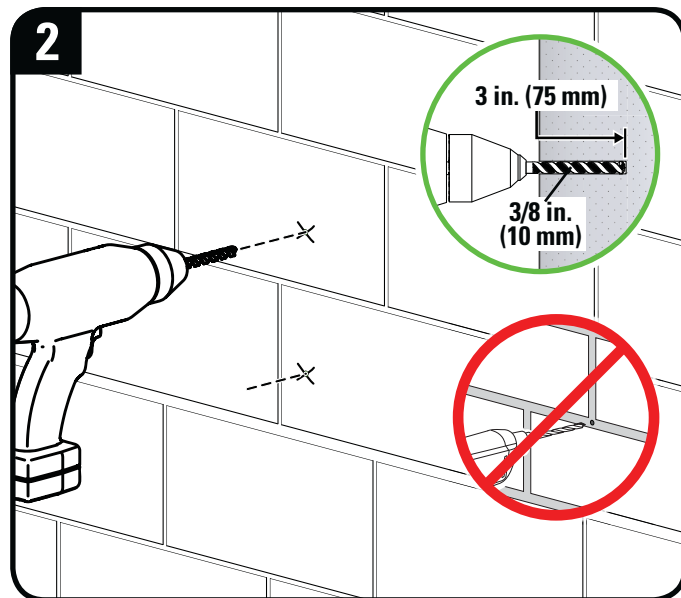
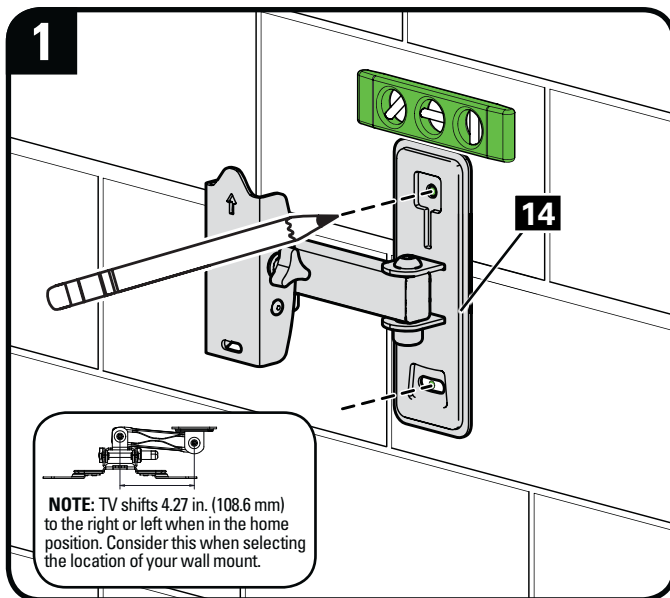
STEP 2B Attach Wall Plate to Wall Solid Concrete or Concrete Block Installation

⚠ CAUTION: Avoid potential personal injury or property damage!

- Mount the wall plate assembly **14** directly onto the concrete surface.
- Minimum **solid concrete** thickness: 8 in. (203 mm)
- Minimum **concrete block** size: 8 x 8 x 16 in. (203 x 203 x 406 mm)

1. Position the wall plate **14** on the wall at your desired height. Level the wall plate **14** and mark the hole locations.
2. Drill two pilot holes using a 3/8 in. (10 mm) diameter masonry drill bit.

! IMPORTANT: Pilot holes must be drilled to a depth of 3 in. (75 mm). Never drill into the mortar between blocks.



3. Insert two anchors **17**.

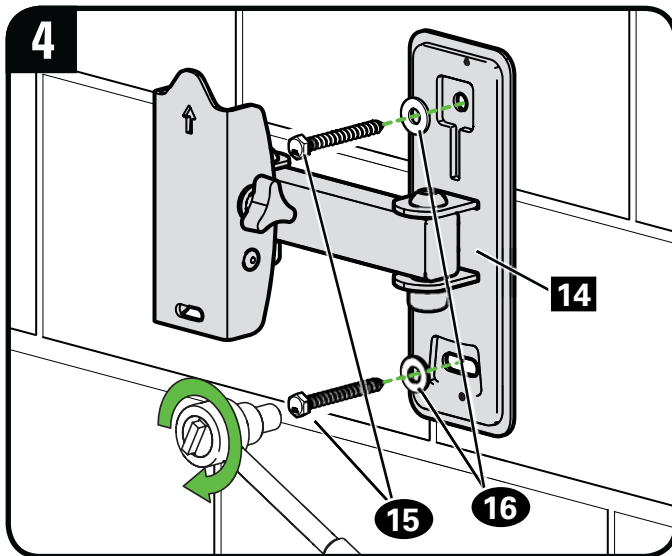
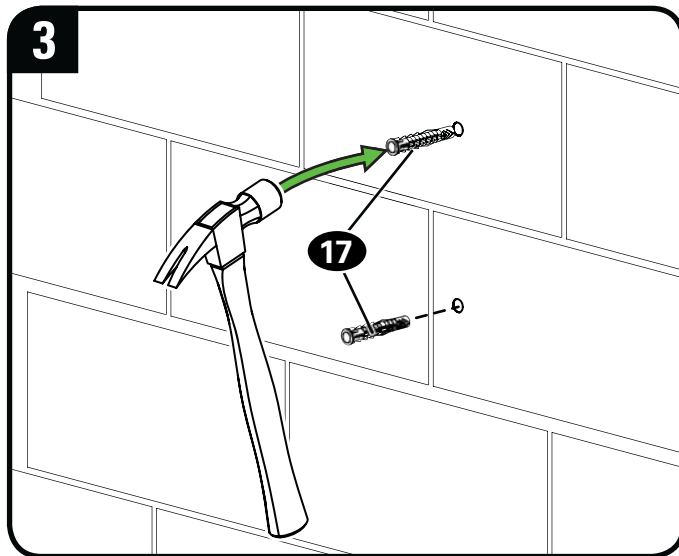
⚠ CAUTION: Be sure the anchors are seated flush with the concrete surface.

4. Install wall plate assembly **14** using two lag bolts **15** and washers **16**. Tighten the lag bolts only until the washers are pulled firmly against the wall plate.

📖 NOTE: If needed, you can make small level adjustments to the wall plate by loosening the bottom lag bolt **15** and shifting the wall plate until level. Tighten the bottom lag bolt when adjustments are complete (see page 13).

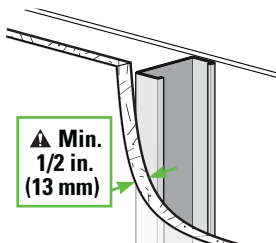
⚠ CAUTION: Avoid potential personal injury or property damage! Both lag bolts **15** MUST BE firmly tightened to prevent unwanted movement of the wall plate **14**. Ensure the wall plate is securely fastened to the wall before continuing on to the next step.

Go to STEP 3 on PAGE 20.



STEP 2C Attach Wall Plate to Wall Steel Stud Installation

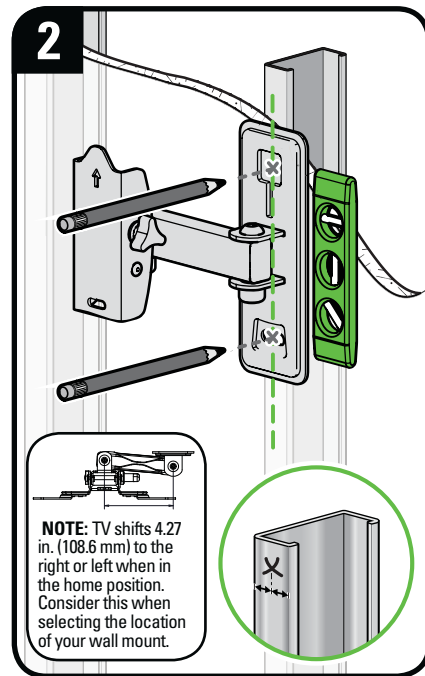
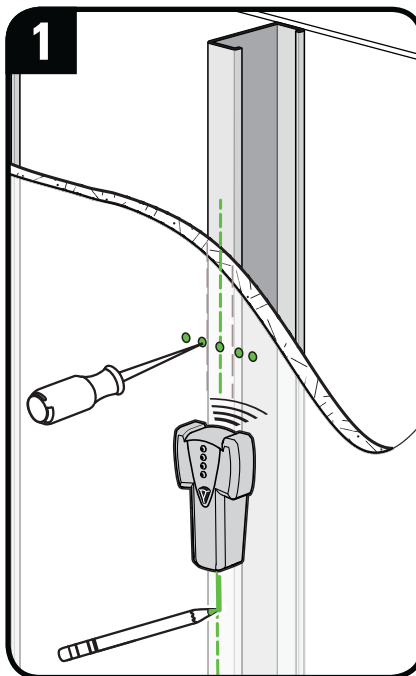
CAUTION: Avoid potential personal injury or property damage!



- Studs must be at least 2x4 in. / 25 ga.
- Stud type and structural strength must conform to the North American Specification for the Design of Cold-Formed Steel Structural Members [362 S 125 18, C-Shape, S - Stud Section].
- If back side of wall is unfinished, drywall must be installed to a minimum of one stud left and right of the stud(s) being used to install the mount.
- Drywall must be a minimum of 1/2 in. (13 mm) thick on each side of the studs, and a minimum clearance of 1 7/8 in. (48 mm) behind the wall is required.
- Drywall must be secured to studs with screws 12 in. (304.8 mm) on center.
- This product must be centered on the studs.

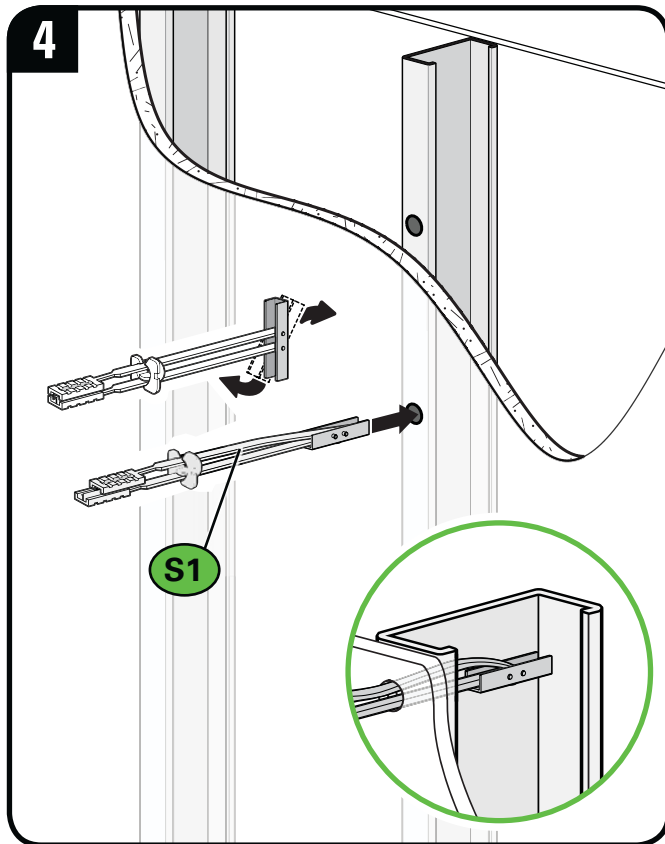
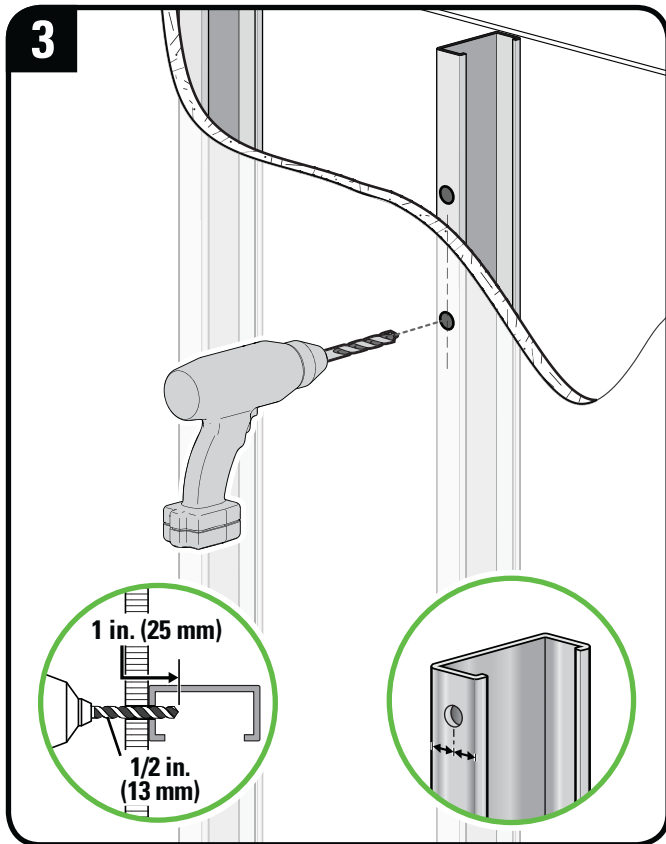
Steel Stud Anchor Kit SSMK1 is not included (see page 7) Contact Customer Service at 1-800-359-5520 to have the additional hardware shipped directly to you.

1. Locate your stud. Verify and mark the center of the stud by finding the stud edges using an awl, a thin nail, or an edge to edge stud finder.
2. Level the mount and mark the hole locations.

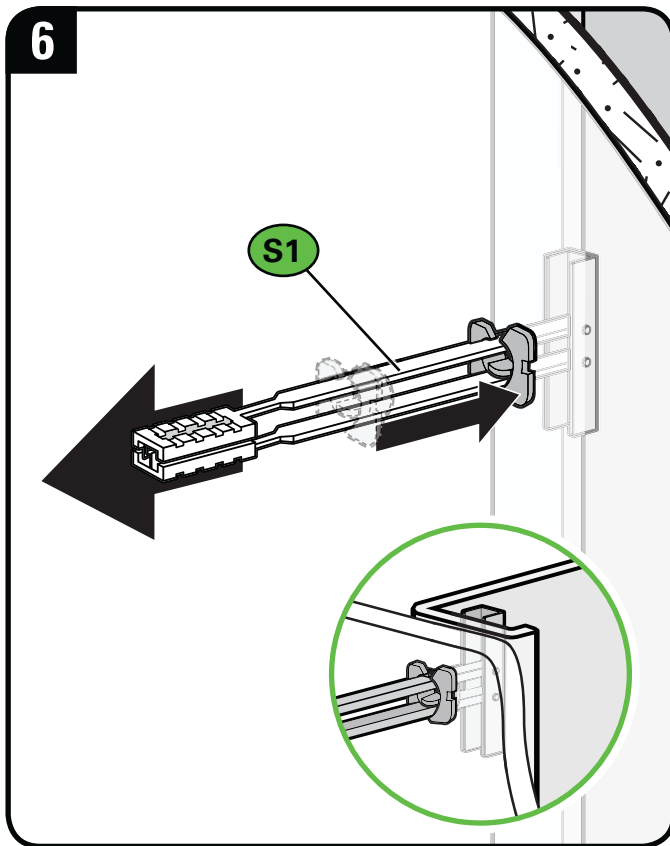
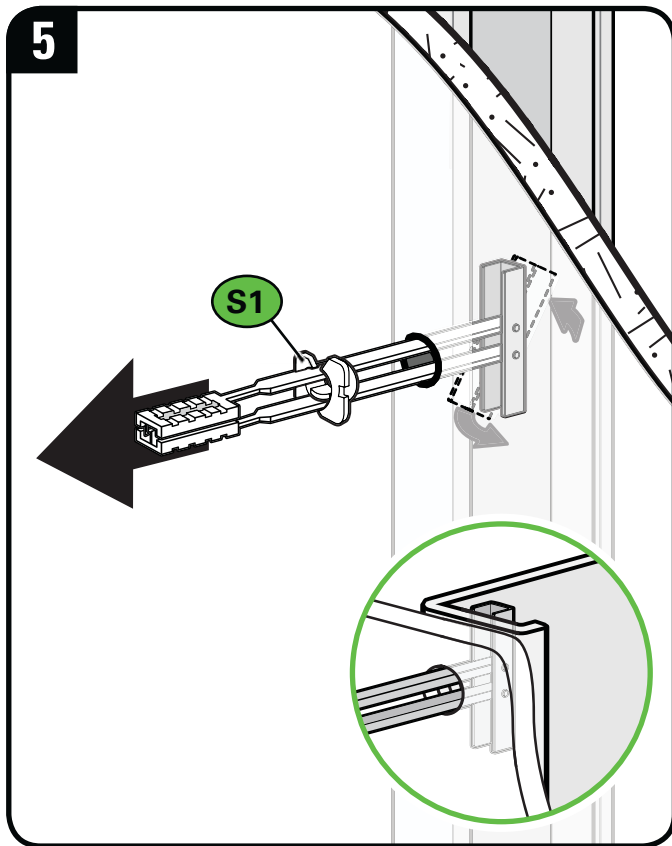


3. Drill pilot holes as illustrated.

4. Fold metal channel of anchor **S1** until it is flat with the plastic straps and slide the metal channel into the drilled hole.



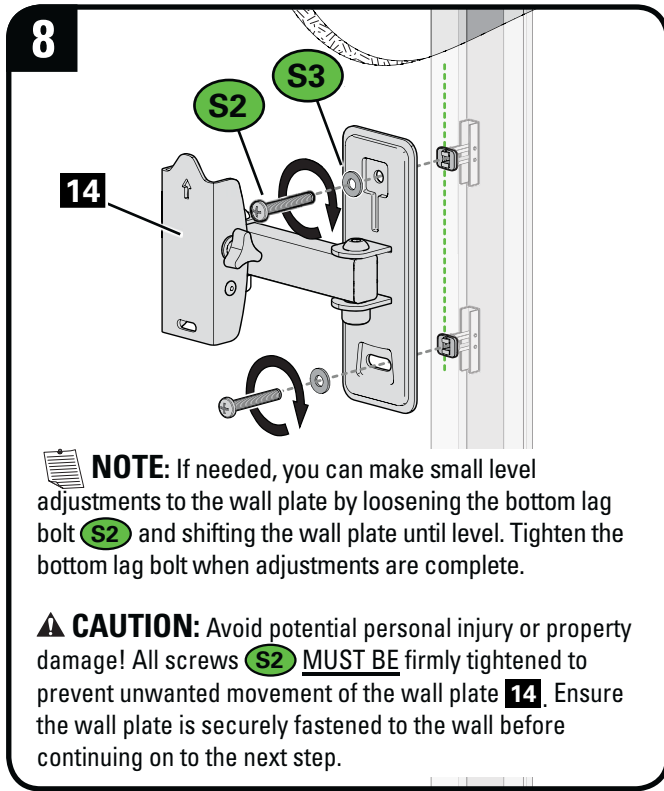
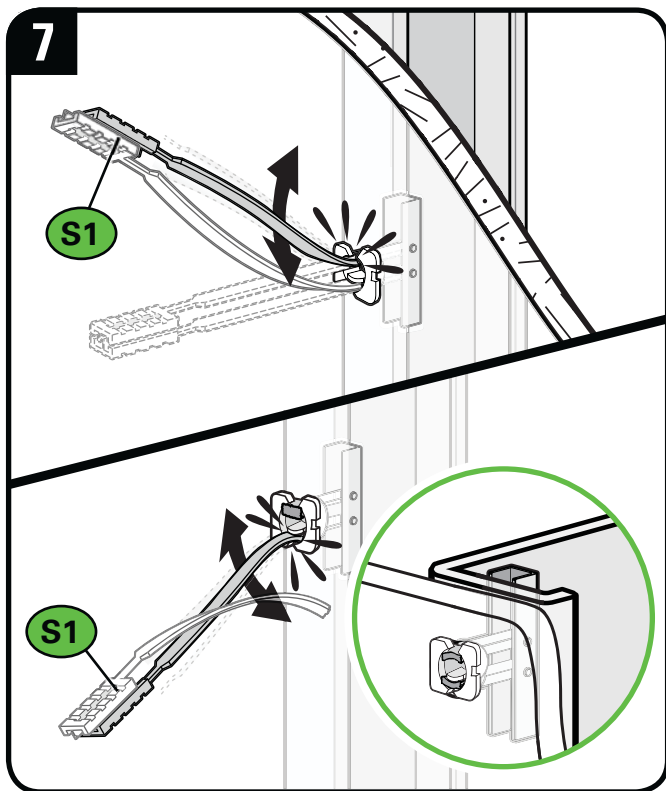
5. Hold the plastic straps of anchor **S1** by the end and pull towards you until the metal channel is flush behind the drywall.
6. Slide the plastic cap down the straps and into the hole with the lip of the cap flush against the wall.



7. Bend the straps up and down until they snap off level with the lip of the cap.

⚠ CAUTION: Be sure the cap is seated against the drywall surface and the ends of the anchor do not extend beyond the cap - cut if necessary.

8. Install wall plate assembly **14** using two screws **S2** and two washers **S3**. Tighten the screws only until they are pulled firmly against the wall plate.



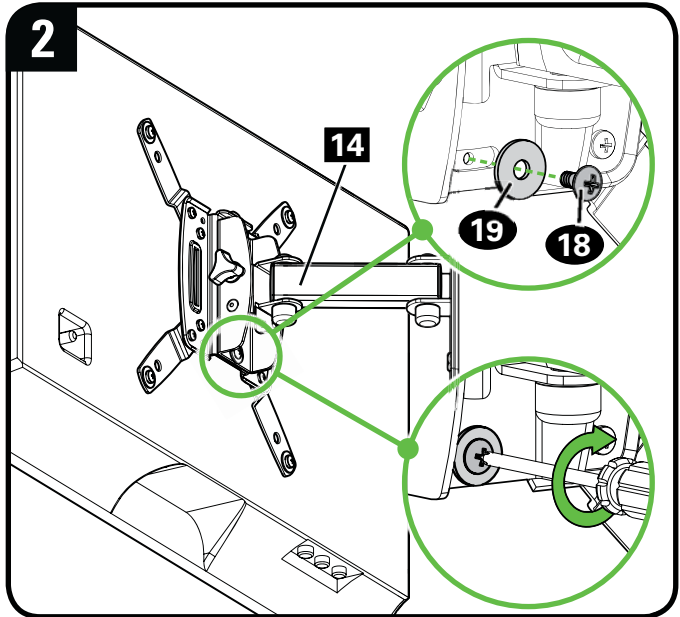
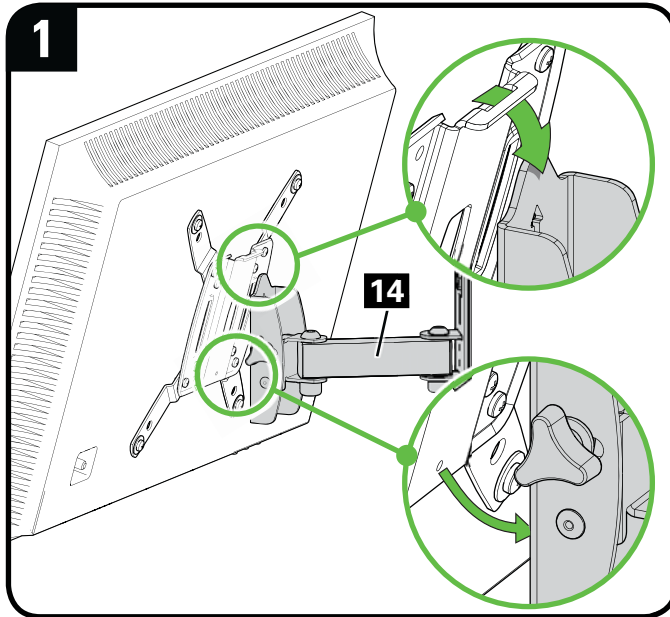
STEP 3 Hang TV onto Wall Plate



HEAVY! You may need assistance with this step.

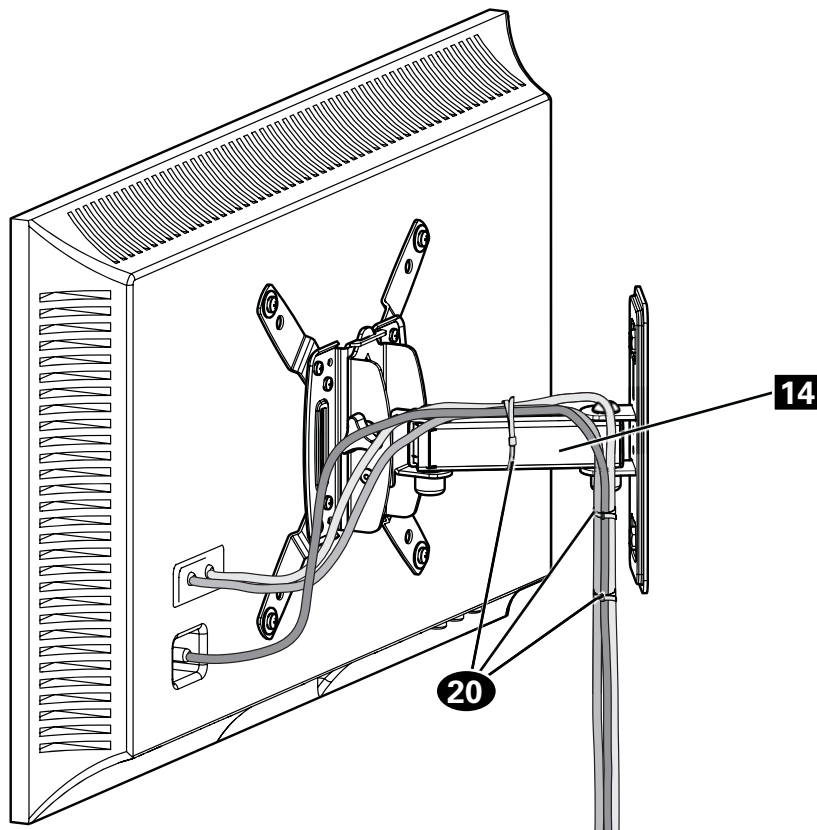
1. Hang the TV onto the arm of wall plate assembly **14** by first hooking the top support, then resting the TV into place.
2. Lock the TV to the wall plate assembly **14** with securement screw **18** and washer **19**.

⚠ CAUTION: Avoid potential personal injury or property damage! This securement screw **18** must be installed to secure the TV onto the wall plate assembly **14**.



Manage Cables

Use cable ties **20** to bundle cables and to attach cables to the arm of the wall plate assembly **14** for a cleaner look.




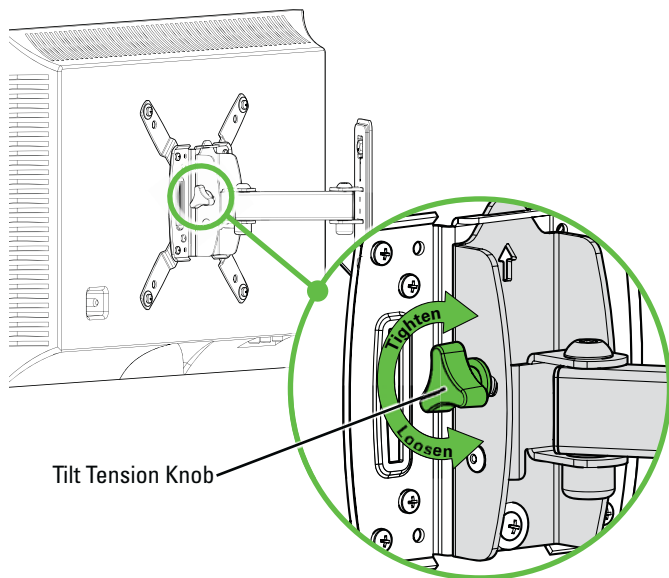
TV Adjustments

TILT ADJUSTMENT

Your TV should adjust easily when moved, then stay in place.


If your TV is too loose or too tight, adjust the tilt tension knob by hand.

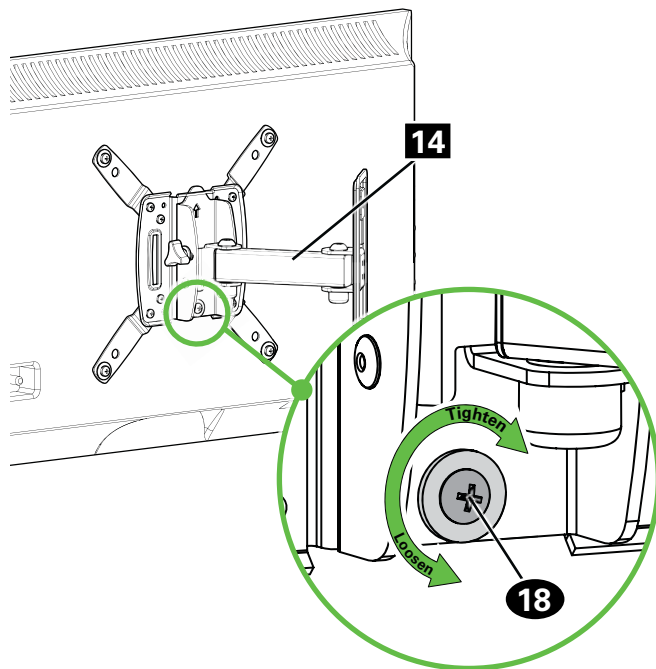
 **NOTE:** Once your TV is in place, tighten the tilt tension knob to prevent unwanted movement.



LEVEL ADJUSTMENT

To adjust the leveling of your TV, loosen the securement screw **18**, level your TV, then tighten securement screw **18**.

 **CAUTION!** This securement screw **18** must be installed to secure the TV onto the wall plate assembly **14**.



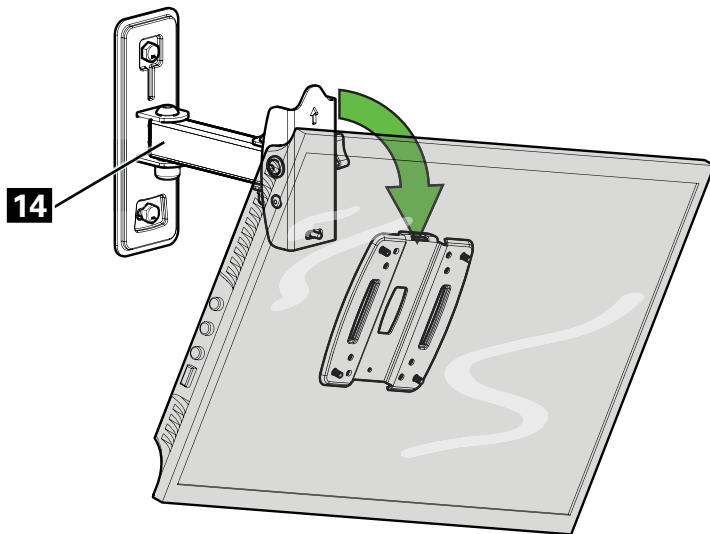
REMOVING THE TV



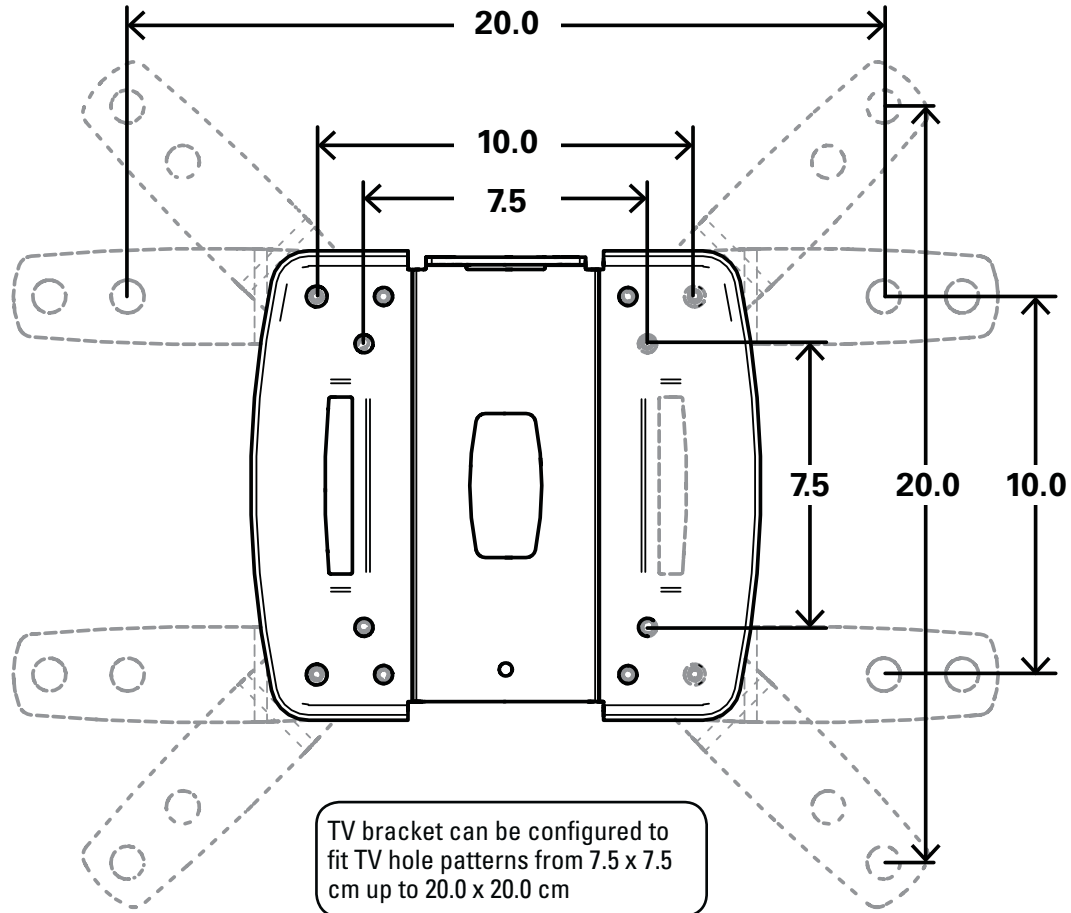
HEAVY! You may need assistance with this step.

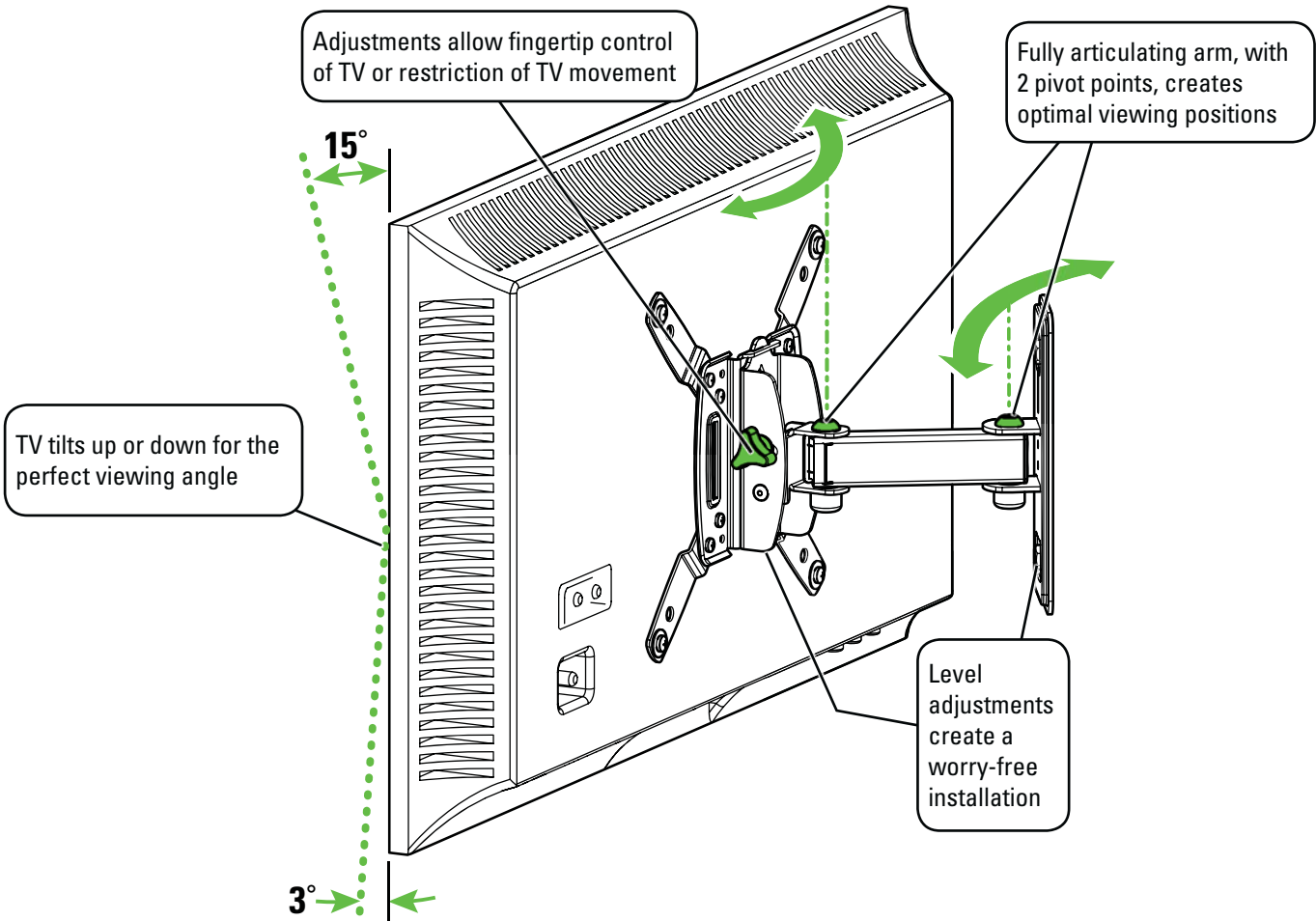
To remove your TV from the wall plate assembly **14**:

1. Disconnect all cables from your TV.
2. Remove the securement screw **18** and washer **19** (See STEP 3).
3. Lift the TV up and off of wall plate assembly **14**.



Features





Adjustments allow fingertip control of TV or restriction of TV movement

Fully articulating arm, with 2 pivot points, creates optimal viewing positions

TV tilts up or down for the perfect viewing angle

Level adjustments create a worry-free installation

15°

3°

Blank Page

Blank Page

Secura

Thank you for choosing Secura! Please take a moment to let us know how we did:



Email us: info@secura-av.com



Call us: 1-800-359-5520

UK: 0800 056 2853

Milestone AV Technologies and its affiliated corporations and subsidiaries (collectively, "Milestone"), intend to make this manual accurate and complete. However, Milestone makes no claim that the information contained herein covers all details, conditions, or variations. Nor does it provide for every possible contingency in connection with the installation or use of this product. The information contained in this document is subject to change without notice or obligation of any kind. Milestone makes no representation of warranty, expressed or implied, regarding the information contained herein. Milestone assumes no responsibility for accuracy, completeness or sufficiency of the information contained in this document.

©2016 Milestone AV Technologies. All rights reserved. Secura is a brand of Milestone.

All other brand names or marks are used for identification purposes and are trademarks of their respective owners.