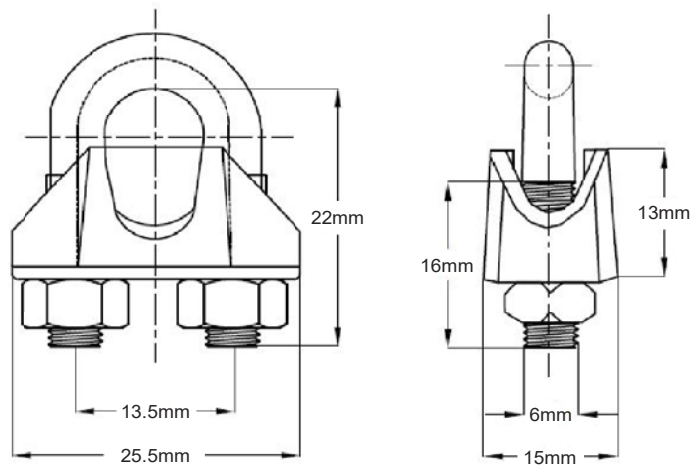


Guy Wire Clamp 14JGWC



Product Information.	
Part Number	14JGWC
Surface Treatment	Zinc
Weight (Kg)	0.03