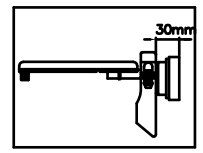
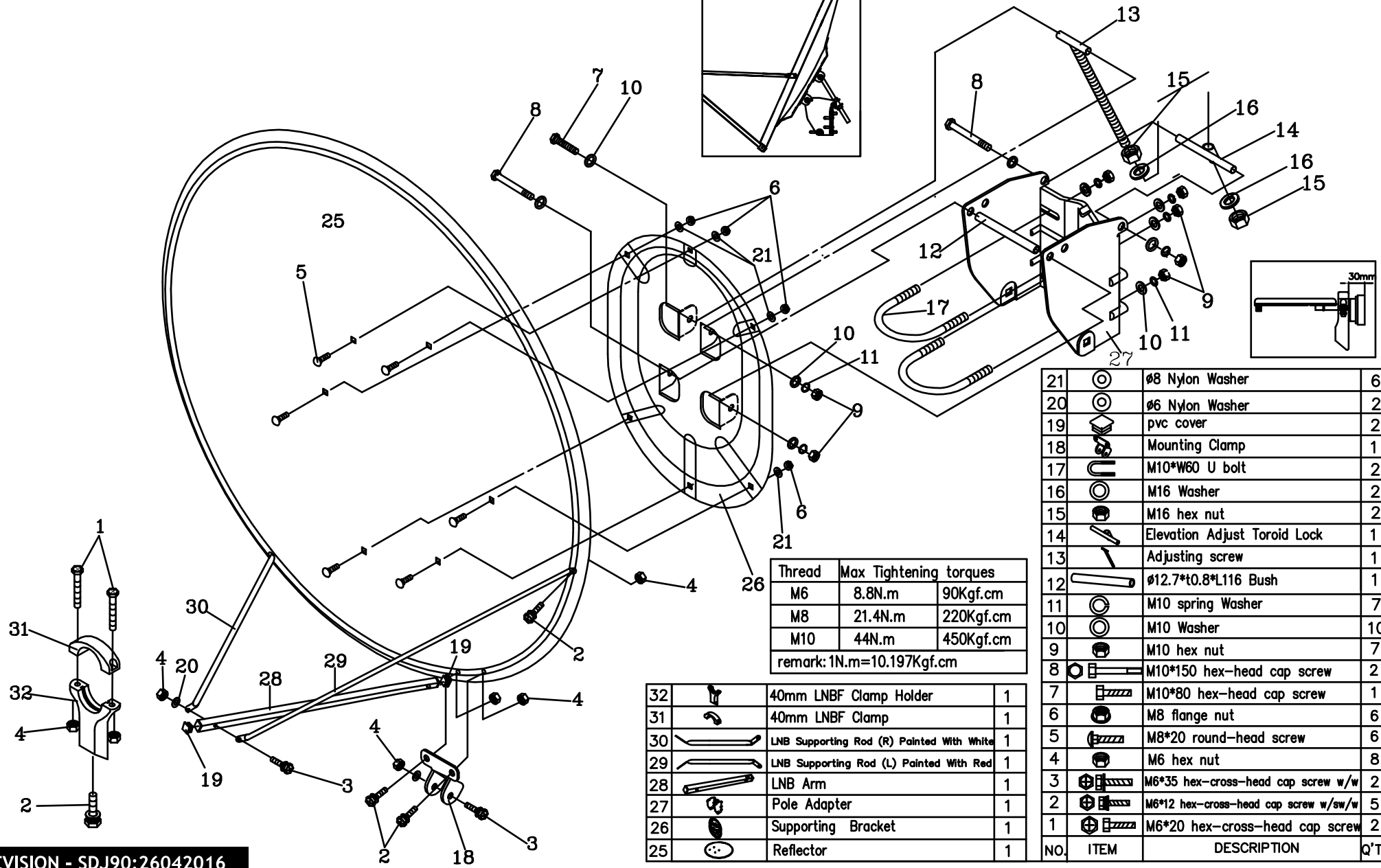
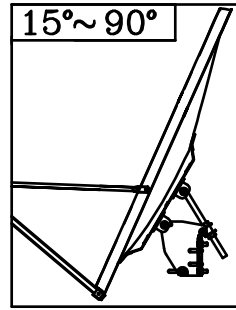


SATELLITE DISH - 90 CM

SUITS: SBS18 METAL ROOF FLEXIMOUNT | SBS19 TILE MOUNT

SBS12 WALL MOUNT | SBS21 GROUND MOUNT

PRODUCT CODE: SDJ90



Thread	Max Tightening torques	
M6	8.8N.m	90Kgf.cm
M8	21.4N.m	220Kgf.cm
M10	44N.m	450Kgf.cm
remark: 1N.m=10.197Kgf.cm		

21		ø8 Nylon Washer	6
20		ø6 Nylon Washer	2
19		pvc cover	2
18		Mounting Clamp	1
17		M10*W60 U bolt	2
16		M16 Washer	2
15		M16 hex nut	2
14		Elevation Adjust Toroid Lock	1
13		Adjusting screw	1
12		ø12.7*ø0.8*L116 Bush	1
11		M10 spring Washer	7
10		M10 Washer	10
9		M10 hex nut	7
8		M10*150 hex-head cap screw	2
7		M10*80 hex-head cap screw	1
6		M8 flange nut	6
5		M8*20 round-head screw	6
4		M6 hex nut	8
3		M6*35 hex-cross-head cap screw w/w	2
2		M6*12 hex-cross-head cap screw w/sw/w	5
1		M6*20 hex-cross-head cap screw	2
NO.	ITEM	DESCRIPTION	Q'TY

32		40mm LNBF Clamp Holder	1
31		40mm LNBF Clamp	1
30		LNB Supporting Rod (R) Painted With White	1
29		LNB Supporting Rod (L) Painted With Red	1
28		LNB Arm	1
27		Pole Adapter	1
26		Supporting Bracket	1
25		Reflector	1