

Installation Instructions

Free to Air tile roof mount

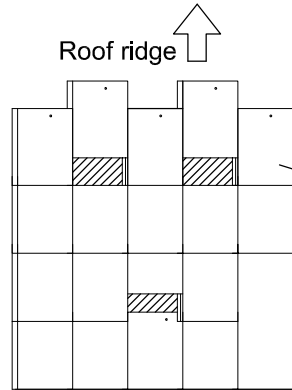
This mount is suitable for the installation of the Next G wireless antenna in wind classifications up to C3 (W60)

- A** Select a suitable area on the tile roof for the installation. It is important to consider the following:
1. The site is not close to powerlines or other hazards
 2. The roof structure is physically sound.
 3. The installed antenna should have an unobstructed 'line of sight' to the transmitter.
 4. The braces must always run up the roof and be above the mast.
 5. The chosen site must not contravene council regulations or land title covenants.

- B** Slip three tiles as shown in Fig 1. to give access to the mount points.

Note:

The spacing depicted will give the minimum practical spacing. With a roof pitch more than 27 degrees it may be necessary to increase the spacing.



In line tile pattern

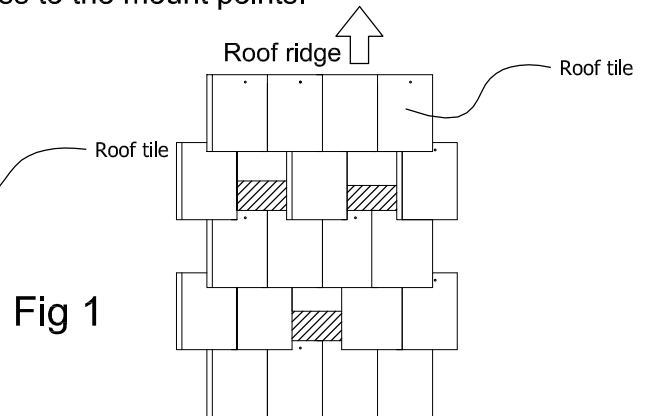
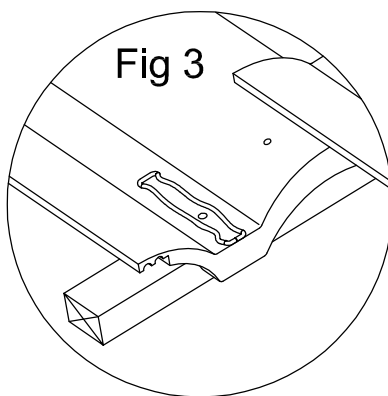
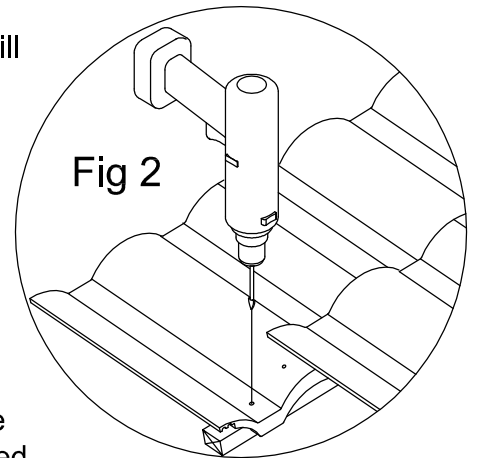


Fig 1

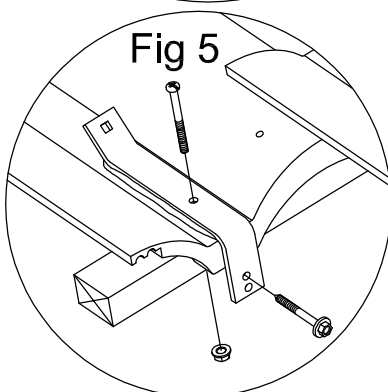
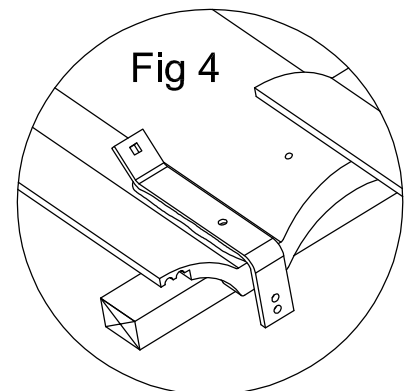
Offset line tile pattern

- C** Select a point on the first tile that allows the bracket to sit flat and where the tile is in contact with the batten underneath. Drill a 6mm dia hole through the tile and the centre of the batten (approx 40mm from the edge of the tile). Repeat with the other two tiles. It is important that the hole position is the same in on all three tiles. It is recommended that a glass tile drill bit or sharp masonry drill bit is used and the hammer function is not used to avoid cracking the tile (ref Fig 2).



- D** Lay a bed of neutral cure silicone sealant on the area to be occupied by the bracket to act as a cushion between the bracket and the tile (ref Fig 3).

- E** Position the bracket on the bed of silicone so that the hole in the bracket lines up with the drilled hole in the tile (ref Fig 4).



- F** Insert the M5x70 Metal Thread Screw through the bracket, tile and batten and secure with the M5 flanged nut. Select a hole in the 'tail' of the bracket that is approximately in line with the centre of the batten and drive a screw through the tail of the bracket into the batten. (ref Fig 5).

G Reposition the tiles back into their original positions.

H Set the angle on the end of the stay(Fig5a) and fasten to the bracket with the M6 square neck bolt and M6 flanged nut as per Fig5b. Repeat with second stay and mast (Fig6).

Fig 5a

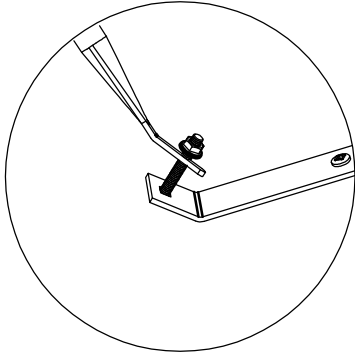
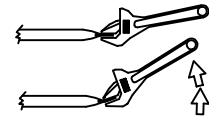


Fig 5b

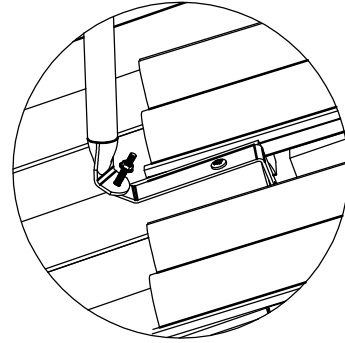


Fig 6

I Fasten the upper ends of the stays to the mast with the Vee Block, 'U' bolt and M8 nuts provided. see Fig 7.

J Ensure the mast is vertical and tighten all fasteners. Install antenna as per the instructions provided with it.

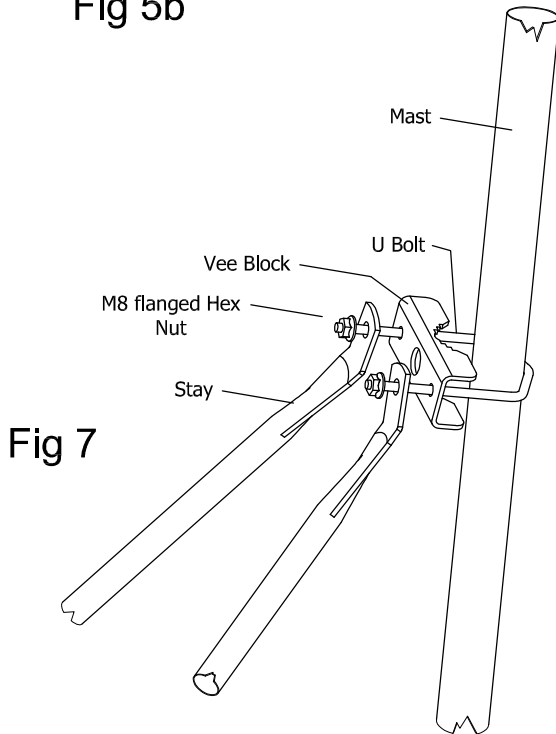
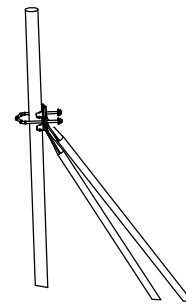


Fig 7



Final assembly arrangement. Tiles removed from this view for clarity.

