



SATELLITE MULTISTACKER DISTRIBUTION EQUIPMENT



ACTIVES | ADAPTORS | AMPLIFIERS | CABLES | CONNECTORS | DISHES
HARDWARE | INTERCONNECTS | LNB | MOUNTS | OUTLETS | PASSIVES | TOOLS

INDEX BY DESCRIPTION

ADAPTOR F FEMALE TO QUICK PUSH ON F MALE	APFF/FQ3	7
ADAPTOR F MALE TO R/A F FEMALE	APF/FFR3	7
ADAPTOR F TO F BARREL	APFF/FF3	7
ADAPTOR F TO F BARREL + NUT & WASHER	APFF/FF3NW	7
ADAPTOR GROUNDING BLOCK 4 X F FEMALE TO F FEMALE	APFFGB4	7
ADAPTOR PUSH F MALE TO PUSH F MALE (5 PK)	DS/ZSV2S/SET	7
AMPLIFIER SPLITBAND 5 ... 2400 MHz WITH GAIN CONTROL ON SAT IF & TERR RF COMBINED OUTPUT	DS/SBV125NF	6
ATTENUATOR F MALE TO F FEMALE 3 dB, 30 VDC / 2 AMP	CAT3FA/MS	7
ATTENUATOR F MALE TO F FEMALE 3 dB	CAT3FA	7
ATTENUATOR F MALE TO F FEMALE 6 dB, 30 VDC / 2 AMP	CAT6FA/MS	7
ATTENUATOR F MALE TO F FEMALE 6 dB	CAT6FA	7
ATTENUATOR F MALE TO F FEMALE 10 dB, 30 VDC / 2 AMP	CAT10FA/MS	7
ATTENUATOR F MALE TO F FEMALE 10 dB	CAT10FA	7
ATTENUATOR PAL MALE TO PAL FEMALE 12 dB	CAT12PA	7
AUDIO LEAD TOSLINK TO TOSLINK 1.5 M	GPCT/T1	10
AUDIO LEAD TOSLINK TO TOSLINK 3 M	GPCT/T13	10
AUDIO VIDEO LEAD HDMI TO HDMI HIGH SPEED 1.5 M	GPCH/H1	10
AUDIO VIDEO LEAD HDMI TO HDMI HIGH SPEED 3 M	GPCH/H13	10
AUDIO VIDEO LEAD HDMI TO HDMI HIGH SPEED WITH ETHERNET V2.0 - 1.5 M	GPCH/HV21	10
AUDIO VIDEO LEAD HDMI TO HDMI HIGH SPEED WITH ETHERNET V2.0 - 3 M	GPCH/HV23	10
CABLE COAXIAL RG6 QUAD BLACK PULL OUT BOX 305 M	CRG6UBQ/B	9
CABLE COAXIAL RG6 QUAD BLACK WOODEN DRUM 100 M	CRG6UBQ-1	9
CABLE COAXIAL RG6 QUAD BLACK WOODEN DRUM 305 M	CRG6UBQ	9
CABLE COAXIAL RG6 QUAD FLOODED BLACK WOODEN DRUM 305 M	CRG6UBQF	9
CABLE COAXIAL RG6 QUAD SIAMESE BLACK WOODEN DRUM 152 M	CRG6UBQS	9
CABLE COAXIAL RG11 QUAD BLACK WOODEN DRUM 305 M	CRG11BQ	9
CABLE COAXIAL RG11 QUAD FLOODED BLACK WOODEN DRUM 305 M	CRG11BQF	9
CABLE COAXIAL RG11 QUAD SHIELD FLOODED WITH MESSENGER BLACK WOODEN DRUM 305 M	CRG11BQFM	9
CONNECTORS F MALE COMPRESSION RG6 FOXTEL UNI LOCKING	APFTRSF6L	8
CONNECTORS F MALE COMPRESSION RG11 FOXTEL LOGO UNI LOCKING	APFTRSF11L	8
DATA PATCH LEAD UTP CAT 6 24 AWG 2 M	GPCC6GY2	10
DATA PATCH LEAD UTP CAT 6 24 AWG 3 M	GPCC6GY3	10
DATA PATCH LEAD UTP CAT 6 24 AWG 5 M	GPCC6GY5	10
DC BLOCKER IN-LINE F MALE TO F FEMALE (2 PK)	DS/DCF500/SET	8
DIPLEXER SATELLITE & FTA F TYPE	DSTD/MS	11
FILTER LTE F MALE TO F FEMALE	ABFLTE	8
F TYPE 75 Ω CAPACITIVE TERMINATOR (2 PK)	DS/ZFR75DC/SET	8
F TYPE 75 Ω CAPACITIVE TERMINATOR WITH O-RING	APFDTC	8
F TYPE 75 Ω RESISTIVE TERMINATOR WITH O-RING	APFDM1	8
HARDWARE CABLE CLIPS 7 MM (100 PK)	AMA7M	18
HARDWARE CABLE TIES 300 MM (100 PK)	ACT3	18
HARDWARE DYNABOLT 10 MM X 50 MM (50 PK)	AMADB10/50	18
HARDWARE INSULATION TAPE BLACK 20 M	AMAPVC	18
HARDWARE SILICONE SEALANT TUBE 300 GRAMS	AMASC	18
LNB QUAD OFFSET KU LO 10.7 GHz LOW CURRENT	LNBU-LC	16
LNB TWIN OFFSET KU LO 10.7 GHz LOW CURRENT	LNBTU-LC	16
MULTISTACKER DISTRIBUTION - 128 OUTLETS WITH EXPANSION IF REQUIRED - SMALL MDU	DS/MSD32	20...21
MULTISTACKER DISTRIBUTION - 256 OUTLETS WITH EXPANSION IF REQUIRED - MEDIUM MDU	DS/MSD64	22...23
MULTISTACKER DISTRIBUTION - 384 OUTLETS WITH EXPANSION IF REQUIRED - LARGE MDU	DS/MSD96	24...25
OUTLET DUAL WALLPLATE 2 X F FEMALE TO F FEMALE	AP022FOX3	10
OUTLET DUAL WALLPLATE PAL FEMALE TO F FEMALE & F FEMALE TO F FEMALE FOXTEL LOGO	AP02/FOX23	10
OUTLET MOUNTING BLOCK DEEP SUITS AUSTRALIAN WALLPLATES	APOMBL	10
OUTLET MOUNTING BLOCK SLIM SUITS AUSTRALIAN WALLPLATES	APOMBS	10
OUTLET SKIRT F FEMALE TO F FEMALE	AP01FOX3	10
OUTLET WALLPLATE C CLIP SUITS 2 X 4 PLATE	AP02P	10
OUTLET WALLPLATE F FEMALE TO F FEMALE FOXTEL LOGO	AP02FOX3	10



INDEX BY DESCRIPTION

POWER INSERTER F TYPE	DS/MSPI	11	
SATELLITE DISH 1.2 M OFFSET FIXED (1 PK)	SDJ1/2C1	16	
SATELLITE DISH 1.2 M OFFSET FIXED (30 PK)	SDJ1/2B	16	
SATELLITE DISH 65 CM OFFSET FIXED (1 PK)	SDJ6502C1	16	
SATELLITE DISH 65 CM OFFSET FIXED (4 PK)	SDJ6502C4	16	
SATELLITE DISH 65 CM OFFSET FIXED (80 PK)	SDJ6502B	16	
SATELLITE DISH 85 CM OFFSET FIXED (1 PK)	SDJ8501C1	16	
SATELLITE DISH 85 CM OFFSET FIXED (4 PK)	SDJ8501C4	16	
SATELLITE DISH 85 CM OFFSET FIXED (60 PK)	SDJ8501B	16	
SATELLITE DISH 90 CM OFFSET FIXED (1 PK)	SDJ90C1	16	
SATELLITE DISH 90 CM OFFSET FIXED (10 PK)	SDJ90B	16	
SATELLITE MOUNT DUO CLEAT BRACKET	SBS16A	17	
SATELLITE MOUNT EXTENDED CLEVIS BASE BRACKET	SBS22	17	
SATELLITE MOUNT METAL BATTEN ROOF KIT	SBS16	17	
SATELLITE MOUNT TILE ROOF	SBS2	17	
SATELLITE MOUNT TILE ROOF 90 CM DISH MAX.	SBS19	17	
SATELLITE MOUNT TIN ROOF	SBS1	17	
SATELLITE MOUNT TIN ROOF FOR 1 M DISH N4 C2 SUITS 1 M ... 1.2 M SATELLITE DISHES	SBS30	SBS13	17
SATELLITE MOUNT TIN ROOF FOR 1.2 M DISH N5 C3 SUITS 1.2 ... 1.5 M SATELLITE DISHES (ADDITIONAL STAY BAR KIT TO SUIT SBS30)	SBS30A	SBS13A	17
SATELLITE MOUNT TIN ROOF SUITS 90 CM DISH MAX.	SBS18	17	
SATELLITE MOUNT WALL 90 CM DISH MAX.	SBS12	17	
SATELLITE MOUNT WALL SUITS 65, 85 AND 90 CM DISHES	SBS8	17	
SPLITTER F TYPE 5 ... 2400 MHz POWER PASS ALL PORTS 2 WAY	CAS2FA/MS	12	
SPLITTER F TYPE 5 ... 2400 MHz POWER PASS ALL PORTS 3 WAY	CAS3FA/MS	12	
SPLITTER F TYPE 5 ... 2400 MHz POWER PASS ALL PORTS 4 WAY	CAS4FA/MS	12	
SPLITTER F TYPE 5 ... 2400 MHz POWER PASS ALL PORTS 6 WAY	CAS6FA/MS	12	
SPLITTER F TYPE 5 ... 2400 MHz POWER PASS ALL PORTS 8 WAY	CAS8FA/MS	12	
SPLITTER F TYPE 5 ... 2400 MHz REVERSE POWER PASS 2 WAY	CAS2FA/MSRP	13	
SPLITTER F TYPE 5 ... 2400 MHz REVERSE POWER PASS 3 WAY	CAS3FA/MSRP	13	
SPLITTER F TYPE 5 ... 2400 MHz REVERSE POWER PASS 4 WAY	CAS4FA/MSRP	13	
STACKER 4 SAT IF INPUTS WITH 1 RF MULTISTACKED OUTPUT	DS/MS	5	
TAP F TYPE 5 ... 2400 MHz POWER PASS OUT-IN 2 WAY - [12 dB, 16 dB, 20 dB]	CAS2TFxx	14	
TAP F TYPE 5 ... 2400 MHz POWER PASS OUT-IN 4 WAY - [12 dB, 16 dB, 20 dB]	CAS4TFxx	14	
TAP F TYPE 5 ... 2400 MHz POWER PASS OUT-IN 8 WAY - [16 dB, 20 dB]	CAS8TFxx	14	
TAP F TYPE 40 ... 2400 MHz ACTIVE 32 WAY	CAS32TFA	15	
TOOL CABLE INSERTION FOR F CONNECTORS	TCIT	18	
TOOL COMPRESSION RG59 RG6 ECONOMY	TCTRHCT	19	
TOOL COMPRESSION RG59 RG6 RG11 RCA BNC IEC R/A	TCIAIOCT	19	
TOOL KIT RG6 COMPRESSION	TKIT4	19	
TOOL RG6 CABLE CUTTER	TCC	18	
TOOL STRIPPER SUITS RG8 RG11 RG213	TCSR11	18	
TOOL STRIPPER SUITS RG59 RG6 RG6Q	TCSR6/59	18	
TOOL TORQUE FOR F CONNECTORS	TCIT	18	



ISO 9001 Quality Certification



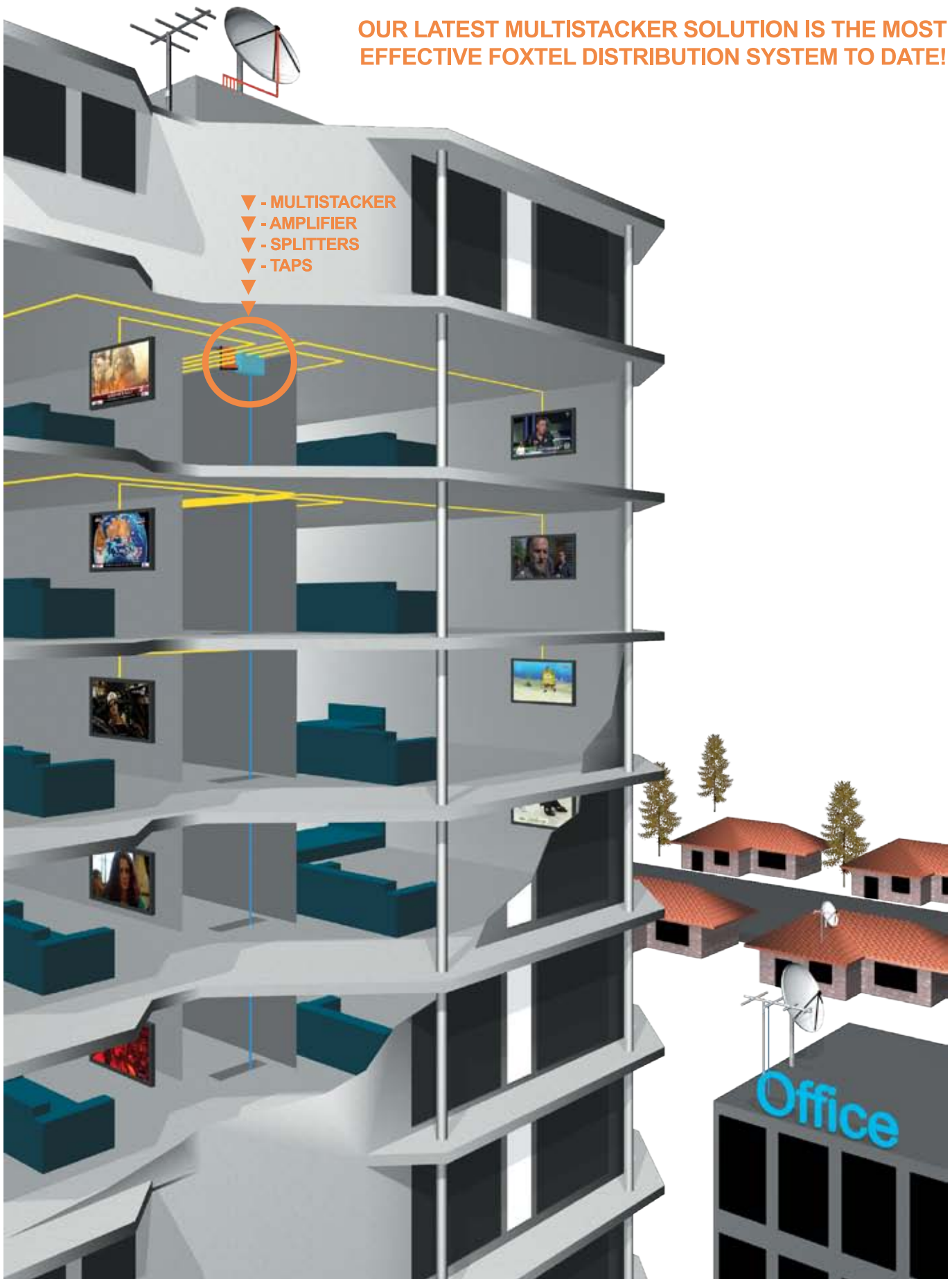
AS/NZS 4801:2001 WHS Certification





SATELLITE MULTISTACKER

OUR LATEST MULTISTACKER SOLUTION IS THE MOST EFFECTIVE FOXTEL DISTRIBUTION SYSTEM TO DATE!





SATELLITE MULTISTACKER

STACKER 4 SAT IF INPUTS WITH 1 RF MULTISTACKED OUTPUT

DS/MS

FOXTEL: F30975



This satellite multistacker (SMS) is a stand alone device that can be installed directly after a TWIN or QUAD universal dual polarisation LNBF. The multistacker is typically installed before the first distribution point in an SMATV system.

DIP SWITCH SETTINGS

The dip switches on the Multistacker are switched to match the state of Australia where it shall be installed. The table also shows the dip switch settings and the STB state settings.

Switch Number	1	2	3	4	5	STB Setting
National	OFF	OFF	OFF	OFF	OFF	National 01
NSW	ON	OFF	OFF	OFF	OFF	NSW 02
VIC	OFF	ON	OFF	OFF	OFF	VIC 03
QLD	ON	ON	OFF	OFF	OFF	QLD 04
SA	OFF	OFF	ON	OFF	OFF	SA 05
WA	ON	OFF	ON	OFF	OFF	WA 06
TAS	OFF	ON	ON	OFF	OFF	TAS 07
NT	ON	ON	ON	OFF	OFF	NT 08

Dip switch image of the Multistacker. Set as dip switch 1 ON for NSW as an example.



INSTALLATION & APPLICATIONS

DOMESTIC | COMMERCIAL BUILDINGS | APARTMENT BLOCKS | ESTATES | OFFICES | HOTELS | SHOPPING CENTRES | TRANSPORTATION

FEATURES

- Small wall mountable design, simple installation
- High quality housing with heat sink
- Quad SAT IF inputs: 1 H + 22 KHz, 2 V + 22 KHz, 3 H and 4 V
- Dedicated F female connector input for 12 VDC local powering
- RF output can be used to remote power the Multistacker
- Grounding screw for CET [Earthing]
- Five way switch [For state channel allocation by FOXTEL]

Specifications		DS/MS
Input Frequency Band	1 H / 22 KHz	950 MHz ... 2150 MHz
	2 V / 22 KHz	
	3 H	
	4 V	
Output Frequency Band	Output Port	250 MHz ... 2350 MHz
Input Return Loss	75 Ω System, over 950 MHz ... 2150 MHz	> 10 dB
Output Return Loss	75 Ω System, over 250 MHz ... 2350 MHz	> 10 dB
Input Power Level	Per Carrier (UB) with an AGC Range of 20 dB	- 45 ... - 24 dBm [63.75 ... 84.75 dBμV]
Output Power Level	Per Carrier (UB)	- 29 ... - 24 dBm [79.75 ... 84.75 dBμV]
Aggregate Output Power Level	Up to 32 (UB's)	< - 5 dBm
Tuner Frequency Range	Internal DVB-S/S2 Tuner	950 MHz ... 2150 MHz
Tuner Carrier Acquisition Range	Internal DVB-S/S2 Tuner	± 5 MHz
Operating Voltage		12 ± 0.5 VDC
Power Consumption	All UB ON, 12 VDC Supply without LNB	< 9.5 W
Operating Temperature	- 20 °C ... + 60 °C [Indoor]	- 30 °C ... + 70 °C
	- 30 °C ... + 70 °C [Outdoor]	
Dimensions [mm]		160 x 140 x 30

Specifications are subject to change without notice

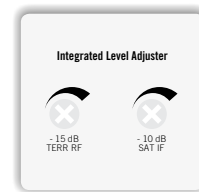


AMPLIFIERS

AMPLIFIER SPLITBAND 5 ... 2400 MHz WITH GAIN CONTROL ON SAT IF & TERR RF COMBINED OUTPUT

DS/SBV125NF

FOXTEL: F30972



This splitband amplifier has been specifically designed to accommodate the amplifying requirements of the multistacker in commercial applications.

FEATURES

- Small wall mountable design, simple installation
- High quality housing
- Integrated Level Adjuster for Satellite & Terrestrial
- Grounding screw for CET [Earthing]

Specifications	DS/SBV125NF
Input / Output	1 / 1
Gain Terr RF: 47 ... 862 MHz	14 ... 18 dB ± 1 dB
Gain Sat IF: 950 ... 2400 MHz	18 ... 25 dB ± 1 dB
Output Level Max. 47 ... 862 MHz 60 dB IMA ₃ / EN 60728 - 3	Typ. 104 dBµV
Output Level Max. 950 ... 2400 MHz 60 dB IMA ₃ / EN 60728 - 3	Typ. 113 dBµV
Level Adjusting Range: Terr RF	0 ... - 15 dB
Level Adjusting Range: Sat IF	0 ... - 10 dB
DC Pass	Max. 20 V / 400 mA
Operating Voltage	230 V, 50 / 60 Hz
Power Consumption	4 W Max.
Ambient Temperature	- 20 ... + 50 °C
Dimensions [mm]	175 x 75 x 50

Specifications are subject to change without notice





ADAPTORS

ADAPTOR F MALE TO R/A F FEMALE

APFF/FFR3

FOXTEL: F30573

3 GHz



ADAPTOR F TO F BARREL

APFF/FF3

FOXTEL: F30583

3 GHz



ADAPTOR GROUNDING BLOCK 4 X F FEMALE TO F FEMALE

APFFGB4

FOXTEL: F30791

3 GHz



ADAPTOR F FEMALE TO QUICK PUSH ON F MALE

APFF/FQ3

FOXTEL: F30564

3 GHz



ADAPTOR F TO F BARREL + NUT & WASHER

APFF/FF3NW

FOXTEL: F30583

3 GHz



ADAPTOR PUSH F MALE TO PUSH F MALE (5 PK)

DS/ZSV2S/SET

FOXTEL: F10458



ATTENUATORS

ATTENUATOR F MALE TO F FEMALE 3 dB

CAT3FA

FOXTEL: F30064



ATTENUATOR F MALE TO F FEMALE 6 dB

CAT6FA

FOXTEL: F30065



ATTENUATOR F MALE TO F FEMALE 10 dB

CAT10FA

FOXTEL: F30066



ATTENUATOR PAL MALE TO PAL FEMALE 12 dB

CAT12PA

FOXTEL: F30836



ATTENUATOR F MALE TO F FEMALE 3 dB, 30 VDC / 2 AMP

CAT3FA/MS

FOXTEL: F31014

2 AMP RATED



ATTENUATOR F MALE TO F FEMALE 6 dB, 30 VDC / 2 AMP

CAT6FA/MS

FOXTEL: F31015

2 AMP RATED



ATTENUATOR F MALE TO F FEMALE 10 dB, 30 VDC / 2 AMP

CAT10FA/MS

FOXTEL: F31016

2 AMP RATED



+61 1300 660 155



+61 1300 250 407



www.jonsa.com.au



sales@jonsa.com.au

TERMINATORS & DC BLOCKERS

F TYPE 75 Ω CAPACITIVE TERMINATOR (2 PK)

DS/ZFR75DC/SET

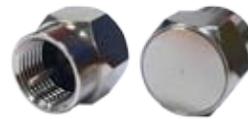
FOXTEL: F10457



F TYPE 75 Ω CAPACITIVE TERMINATOR WITH O-RING

APFDTC

FOXTEL: F30978



F TYPE 75 Ω RESISTIVE TERMINATOR WITH O-RING

APFDM1

FOXTEL: F30732



DC BLOCKER IN-LINE F MALE TO F FEMALE (2 PK)

DS/DCF500/SET

FOXTEL: F10456



FILTER LTE F MALE TO F FEMALE

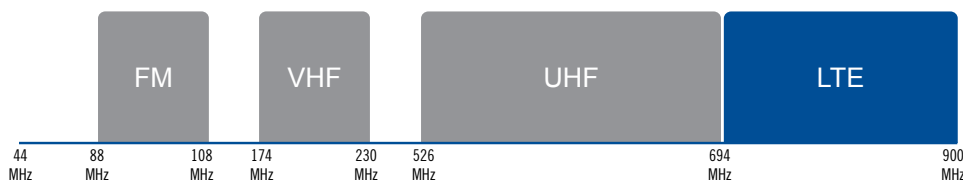
ABFLTE

FOXTEL: F30874



- Provides high performance filtering of all frequencies above 694 MHz (channel 52 and above), thus blocking unwanted signals from 4G / LTE mobile transmitters and
- Is available in a cylindrical metal housing which facilitates a simple in line installation

Digital spectrum



Specification Type		Frequency (MHz)	ABFLTE	
			Typical Value (dB)	Quality Control Value (dB)
Insertion Loss (dB)	Input-Output	5 ... 40	1	≤ 1.5
		40 ... 470	1	≤ 1.5
		470 ... 694	3	≤ 3.5
		694 ... 1000	2.9 ... 60	2.5 ... 50
Return Loss (dB)	Input-Output	5 ... 40	12	≥ 10
		40 ... 470	12	≥ 10
		470 ... 694	12	≥ 10
		694 ... 1000	12 ... 0	10 ... 0

COMPRESSION CONNECTORS

CONNECTORS F MALE COMPRESSION RG11 FOXTEL LOGO UNI LOCKING

APFTRSF11L

FOXTEL: F30709



CONNECTORS F MALE COMPRESSION RG6 FOXTEL UNI LOCKING

APFTRSF6L

FOXTEL: F30574 TELSTRA APPROVED





RG6

CABLE COAXIAL RG6 QUAD BLACK PULL OUT BOX 305 M

CRG6UBQ/B

FOXTEL: F10129



CABLE COAXIAL RG6 QUAD BLACK WOODEN DRUM 100 M

CRG6UBQ-1

FOXTEL: F10129



CABLE COAXIAL RG6 QUAD BLACK WOODEN DRUM 305 M

CRG6UBQ

FOXTEL: F10129



CABLE COAXIAL RG6 QUAD FLOODED BLACK WOODEN DRUM 305 M

CRG6UBQF

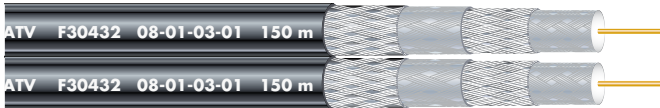
FOXTEL: F30059



CABLE COAXIAL RG6 QUAD SIAMESE BLACK WOODEN DRUM 152 M

CRG6UBQS

FOXTEL: F30432



Attenuation @ 20 °C (dB/100 m)

5 MHz	1.90
55 MHz	5.25
211 MHz	10.00
250 MHz	10.82
270 MHz	11.04
300 MHz	11.64
330 MHz	12.26
350 MHz	12.63
400 MHz	13.61
450 MHz	14.43
500 MHz	15.29
550 MHz	16.08
600 MHz	16.73
750 MHz	18.54
870 MHz	20.04
1000 MHz	21.49
1450 MHz	26.25
1750 MHz	28.67
2050 MHz	31.04
2400 MHz	34.50

RG11

CABLE COAXIAL RG11 QUAD BLACK WOODEN DRUM 305 M

CRG11BQ

FOXTEL: F10175 TELSTRA APPROVED

FOXTEL APPROVED FOR SATELLITE & CABLE



CABLE COAXIAL RG11 QUAD FLOODED BLACK WOODEN DRUM 305 M

CRG11BQF

FOXTEL: F30060 TELSTRA APPROVED

FOXTEL APPROVED FOR SATELLITE & CABLE



CABLE COAXIAL RG11 QUAD SHIELD FLOODED WITH MESSENGER BLACK WOODEN DRUM 305 M

CRG11BQFM

FOXTEL: F30430



Attenuation @ 20 °C (dB/100 m)

5 MHz	1.25
55 MHz	3.15
211 MHz	6.23
250 MHz	6.72
270 MHz	7.00
300 MHz	7.38
330 MHz	7.71
350 MHz	7.94
400 MHz	8.53
450 MHz	9.02
500 MHz	9.51
550 MHz	9.97
600 MHz	10.43
750 MHz	11.97
870 MHz	13.31
1000 MHz	14.27
1300 MHz	16.00
1550 MHz	17.42
1770 MHz	19.58
2050 MHz	21.61
2400 MHz	23.10





INTERCONNECTS

AUDIO VIDEO LEAD HDMI TO HDMI HIGH SPEED
1.5 M

GPCH/H1

FOXTEL: F30616

AUDIO VIDEO LEAD HDMI TO HDMI HIGH SPEED
3 M

GPCH/H13

FOXTEL: F30617



AUDIO LEAD TOSLINK TO TOSLINK 1.5 M

GPCT/T1

FOXTEL: F30529

AUDIO LEAD TOSLINK TO TOSLINK 3 M

GPCT/T13

FOXTEL: F30530



AUDIO VIDEO LEAD HDMI TO HDMI HIGH SPEED WITH ETHERNET
V2.0 - 1.5 M

GPCH/HV21

FOXTEL: F30967

AUDIO VIDEO LEAD HDMI TO HDMI HIGH SPEED WITH ETHERNET
V2.0 - 3 M

GPCH/HV23

FOXTEL: F30968



DATA PATCH LEAD UTP CAT 6 24 AWG 2 M

GPCC6GY2

FOXTEL: F30611

DATA PATCH LEAD UTP CAT 6 24 AWG 3 M

GPCC6GY3

FOXTEL: F30612

DATA PATCH LEAD UTP CAT 6 24 AWG 5 M

GPCC6GY5

FOXTEL: F30613



OUTLETS

OUTLET WALLPLATE F FEMALE TO F FEMALE FOXTEL LOGO APO2FOX3

FOXTEL: F30577

3 GHz



OUTLET DUAL WALLPLATE 2 X F FEMALE TO F FEMALE APO22FOX3

FOXTEL: F30578

3 GHz



OUTLET DUAL WALLPLATE PAL FEMALE TO F FEMALE &
F FEMALE TO F FEMALE FOXTEL LOGO

APO2/FOX23

FOXTEL: F30579

3 GHz



OUTLET SKIRT F FEMALE TO F FEMALE

APO1FOX3

FOXTEL: F30582

3 GHz



OUTLET WALLPLATE C CLIP SUITS 2 X 4 PLATE

APO2P



OUTLET MOUNTING BLOCK DEEP SUITS AUSTRALIAN
WALLPLATES

APOMBL

FOXTEL: F30876



OUTLET MOUNTING BLOCK SLIM SUITS AUSTRALIAN
WALLPLATES

APOMBS

FOXTEL: F30875





PASSIVE

DIPLEXERS

DIPLEXER SATELLITE & FTA F TYPE

DSTD/MS

FOXTEL: F30979

2 AMP RATED



Specifications	Frequency (MHz)	DSTD/MS
Insertion Loss IN-OUT (dB)	5 ... 2400	≤ 1.5 dB
Rejection (dB)	5 ... 2400	≥ 30
Input Return Loss (dB)	5 ... 2400	≥ 10
Output Return Loss (dB)	5 ... 2400	≥ 10
Screening RF	5 ... 1000	≥ 75
Screening IF	1000 ... 2400	≥ 65
Impedance	75 Ω	
Housing	Solder Shielded Bottom Plate	
Mounting Screws	± PM 4 x 18 A3 Nickel-Plated, 2 pcs	
Power Pass	SAT IF OUT to IN and IN to SAT IF OUT, 30 VDC 2 Amp	
Earthing Terminal	Yes	

POWER INSERTER

POWER INSERTER F TYPE

DS/MSPI

FOXTEL: F30980

2 AMP RATED



- Used to insert power to the following active devices:

Active Tap: CAS32TFA

Multistacker: DS/MS

- Power adaptor supplied with the Multistacker can be used: 12 VDC / 5 A
- Solder back body with high quality housing
- Wall mounting lug built into the housing
- Power injection from DC input from PSU to RF/DC out to the active devices

Specifications	Frequency (MHz)	DS/MSPI
Insertion Loss IN-OUT (dB)	5 ... 2400	≤ 1.5 dB
Input Return Loss (dB)	5 ... 2400	≥ 10
Output Return Loss (dB)	5 ... 2400	≥ 10
Screening RF	5 ... 1000	≥ 75
Screening IF	1000 ... 2400	≥ 65
Impedance	75 Ω	
Housing	Solder Shielded Bottom Plate	
Short Circuit Protection	2.5 Amp PTC	
Power Pass	30 VDC 2 Amp	
Earthing Terminal	Yes	

Specifications are subject to change without notice



+61 1300 660 155



+61 1300 250 407



www.jonsa.com.au



sales@jonsa.com.au

SPLITTERS - POWER PASS - ALL OUTPUT PORTS TO INPUT PORT

**SPLITTER F TYPE 5 ... 2400 MHz POWER PASS ALL PORTS
2 WAY**

FOXTEL: F30984



CAS2FA/MS

2 AMP RATED



**SPLITTER F TYPE 5 ... 2400 MHz POWER PASS ALL PORTS
3 WAY**

FOXTEL: F30985



CAS3FA/MS

2 AMP RATED



**SPLITTER F TYPE 5 ... 2400 MHz POWER PASS ALL PORTS
4 WAY**

FOXTEL: F30986



CAS4FA/MS

2 AMP RATED



**SPLITTER F TYPE 5 ... 2400 MHz POWER PASS ALL PORTS
6 WAY**

FOXTEL: F30987



CAS6FA/MS

2 AMP RATED



**SPLITTER F TYPE 5 ... 2400 MHz POWER PASS ALL PORTS
8 WAY**

FOXTEL: F30988



CAS8FA/MS

2 AMP RATED



Specifications	Frequency (MHz)	CAS2FA/MS	CAS3FA/MS	CAS4FA/MS	CAS6FA/MS	CAS8FA/MS
Insertion Loss IN-OUT (dB)	5 ... 40	≤ 4	≤ 7	≤ 7.5	≤ 10.5	≤ 13
	40 ... 1000	≤ 4.5	≤ 7.5	≤ 8.5	≤ 12	≤ 13.5
	1000 ... 1750	≤ 5	≤ 8	≤ 9	≤ 13	≤ 14.5
	1750 ... 2050	≤ 5.5	≤ 8.5	≤ 9.5	≤ 13.5	≤ 16
	2050 ... 2400	≤ 6	≤ 9	≤ 9.5	≤ 13.5	≤ 16
Isolation OUT-OUT (dB)	5 ... 40	≥ 14	≥ 14	≥ 14	≥ 14	≥ 14
	40 ... 1000	≥ 18	≥ 18	≥ 18	≥ 18	≥ 18
	1000 ... 1750	≥ 15	≥ 15	≥ 15	≥ 15	≥ 15
	1750 ... 2050	≥ 15	≥ 15	≥ 15	≥ 15	≥ 15
	2050 ... 2400	≥ 15	≥ 15	≥ 15	≥ 15	≥ 15
Input Return Loss (dB)	5 ... 40	≥ 10	≥ 10	≥ 10	≥ 10	≥ 10
	40 ... 1000	≥ 10	≥ 10	≥ 10	≥ 10	≥ 10
	1000 ... 1750	≥ 10	≥ 10	≥ 10	≥ 10	≥ 10
	1750 ... 2050	≥ 10	≥ 10	≥ 10	≥ 10	≥ 10
	2050 ... 2400	≥ 10	≥ 10	≥ 10	≥ 10	≥ 10
Output Return Loss (dB)	5 ... 40	≥ 10	≥ 10	≥ 10	≥ 10	≥ 10
	40 ... 1000	≥ 10	≥ 10	≥ 10	≥ 10	≥ 10
	1000 ... 1750	≥ 10	≥ 10	≥ 10	≥ 10	≥ 10
	1750 ... 2050	≥ 10	≥ 10	≥ 10	≥ 10	≥ 10
	2050 ... 2400	≥ 10	≥ 10	≥ 10	≥ 10	≥ 10
Impedance	75 Ω					
Housing	Solder Shielded Bottom Plate					
Mounting Screws	± PM 4 x 18 A3 Nickel-Plated, 2 pcs					
Power Pass	ALL OUTPUT PORTS to INPUT, 30 VDC 2 Amp					
Earthing Terminal	Yes					

Specifications are subject to change without notice



SPLITTERS - REVERSE POWER PASS - INPUT PORT TO ALL OUTPUT PORTS

SPLITTER F TYPE 5 ... 2400 MHz REVERSE POWER PASS
2 WAY

CAS2FA/MSRP

FOXTEL: F30981



REVERSE POWER PASSING!

2 AMP RATED



SPLITTER F TYPE 5 ... 2400 MHz REVERSE POWER PASS
3 WAY

CAS3FA/MSRP

FOXTEL: F30982



REVERSE POWER PASSING!

2 AMP RATED



SPLITTER F TYPE 5 ... 2400 MHz REVERSE POWER PASS
4 WAY

CAS4FA/MSRP

FOXTEL: F30983



REVERSE POWER PASSING!

2 AMP RATED



Specifications	Frequency (MHz)	CAS2FA/MSRP	CAS3FA/MSRP	CAS4FA/MSRP
Insertion Loss IN-OUT (dB)	5 ... 40	≤ 4	≤ 7	≤ 7.5
	40 ... 1000	≤ 4.5	≤ 7.5	≤ 8.5
	1000 ... 1750	≤ 5	≤ 8	≤ 9
	1750 ... 2050	≤ 5.5	≤ 8.5	≤ 9.5
	2050 ... 2400	≤ 6	≤ 9	≤ 9.5
Isolation OUT-OUT (dB)	5 ... 40	≥ 14	≥ 14	≥ 14
	40 ... 1000	≥ 18	≥ 18	≥ 18
	1000 ... 1750	≥ 15	≥ 15	≥ 15
	1750 ... 2050	≥ 15	≥ 15	≥ 15
	2050 ... 2400	≥ 15	≥ 15	≥ 15
Input Return Loss (dB)	5 ... 40	≥ 10	≥ 10	≥ 10
	40 ... 1000	≥ 10	≥ 10	≥ 10
	1000 ... 1750	≥ 10	≥ 10	≥ 10
	1750 ... 2050	≥ 10	≥ 10	≥ 10
	2050 ... 2400	≥ 10	≥ 10	≥ 10
Output Return Loss (dB)	5 ... 40	≥ 10	≥ 10	≥ 10
	40 ... 1000	≥ 10	≥ 10	≥ 10
	1000 ... 1750	≥ 10	≥ 10	≥ 10
	1750 ... 2050	≥ 10	≥ 10	≥ 10
	2050 ... 2400	≥ 10	≥ 10	≥ 10
Impedance	75 Ω			
Housing	Solder Shielded Bottom Plate			
Mounting Screws	± PM 4 x 18 A3 Nickel-Plated, 2 pcs			
Power Pass	INPUT to ALL OUTPUT PORTS, 30 VDC 2 Amp			
Earthing Terminal	Yes			

Specifications are subject to change without notice

TAPS

TAP F TYPE 5 ... 2400 MHz POWER PASS OUT-IN
2 WAY - [12 dB, 16 dB, 20 dB]

- CAS2TF12 - FOXTEL: F30990**
- CAS2TF16 - FOXTEL: F30991**
- CAS2TF20 - FOXTEL: F30992**



CAS2TFxx

2 AMP RATED



Note: The "xx" in the product code relates to the tap loss, example 16 dB above: CAS2TF16

TAP F TYPE 5 ... 2400 MHz POWER PASS OUT-IN
4 WAY - [12 dB, 16 dB, 20 dB]

- CAS4TF12 - FOXTEL: F30993**
- CAS4TF16 - FOXTEL: F30989**
- CAS4TF20 - FOXTEL: F30994**



CAS4TFxx

2 AMP RATED



Note: The "xx" in the product code relates to the tap loss, example 16 dB above: CAS4TF16

TAP F TYPE 5 ... 2400 MHz POWER PASS OUT-IN
8 WAY - [16 dB, 20 dB]

- CAS8TF16 - FOXTEL: F30996**
- CAS8TF20 - FOXTEL: F30997**



CAS8TFxx

2 AMP RATED



Note: The "xx" in the product code relates to the tap loss, example 16 dB above: CAS8TF16

Specifications	Frequency (MHz)	CAS2TF12	CAS2TF16	CAS2TF20	CAS4TF12	CAS4TF16	CAS4TF20	CAS8TF16	CAS8TF20
Insertion Loss IN-OUT (dB)	5 ... 40	≤ 2	≤ 2	≤ 2	≤ 3	≤ 3	≤ 3	≤ 4	≤ 4
	40 ... 1000	≤ 2	≤ 2	≤ 2	≤ 3	≤ 3	≤ 3	≤ 4	≤ 4
	1000 ... 1750	≤ 2.5	≤ 2.5	≤ 2.5	≤ 3.5	≤ 3.5	≤ 3.5	≤ 5	≤ 5
	1750 ... 2150	≤ 2.5	≤ 2.5	≤ 2.5	≤ 4.5	≤ 4.5	≤ 4.5	≤ 6.5	≤ 6.5
	2150 ... 2400	≤ 2.5	≤ 2.5	≤ 2.5	≤ 4.5	≤ 4.5	≤ 4.5	≤ 6.5	≤ 6.5
Tap Loss IN-TAP (dB)	5 ... 40	- 12	- 16	- 20	- 12	- 16	- 20	- 16	- 20
	40 ... 1000	- 12	- 16	- 20	- 12	- 16	- 20	- 16	- 20
	1000 ... 1750	- 12	- 16	- 20	- 12	- 16	- 20	- 16	- 20
	1750 ... 2150	- 12	- 16	- 20	- 12	- 16	- 20	- 16	- 20
	2150 ... 2400	- 12	- 16	- 20	- 12	- 16	- 20	- 16	- 20
Isolation TAP-TAP (dB)	5 ... 40	≥ 30	≥ 30	≥ 30	≥ 30	≥ 30	≥ 30	≥ 30	≥ 30
	40 ... 1000	≥ 28	≥ 28	≥ 28	≥ 28	≥ 28	≥ 28	≥ 28	≥ 28
	1000 ... 1750	≥ 25	≥ 25	≥ 25	≥ 25	≥ 25	≥ 25	≥ 25	≥ 25
	1750 ... 2150	≥ 25	≥ 25	≥ 25	≥ 25	≥ 25	≥ 25	≥ 25	≥ 25
	2150 ... 2400	≥ 20	≥ 20	≥ 20	≥ 20	≥ 20	≥ 20	≥ 20	≥ 20
Isolation OUT-TAP (dB)	5 ... 40	≥ 30	≥ 30	≥ 30	≥ 30	≥ 30	≥ 30	≥ 30	≥ 30
	40 ... 1000	≥ 30	≥ 30	≥ 30	≥ 30	≥ 30	≥ 30	≥ 30	≥ 30
	1000 ... 1750	≥ 25	≥ 25	≥ 25	≥ 25	≥ 25	≥ 25	≥ 25	≥ 25
	1750 ... 2150	≥ 25	≥ 25	≥ 25	≥ 25	≥ 25	≥ 25	≥ 25	≥ 25
	2150 ... 2400	≥ 20	≥ 20	≥ 20	≥ 20	≥ 20	≥ 20	≥ 20	≥ 20
Return Loss OUT (dB)	5 ... 40	≥ 10	≥ 10	≥ 10	≥ 10	≥ 10	≥ 10	≥ 10	≥ 10
	40 ... 1000	≥ 10	≥ 10	≥ 10	≥ 10	≥ 10	≥ 10	≥ 10	≥ 10
	1000 ... 1750	≥ 10	≥ 10	≥ 10	≥ 10	≥ 10	≥ 10	≥ 10	≥ 10
	1750 ... 2150	≥ 10	≥ 10	≥ 10	≥ 10	≥ 10	≥ 10	≥ 10	≥ 10
	2150 ... 2400	≥ 10	≥ 10	≥ 10	≥ 10	≥ 10	≥ 10	≥ 10	≥ 10
Impedance	75 Ω								
Housing	Solder Shielded Bottom Plate								
Mounting Screws	± PM 4 x 18 A3 Nickel-Plated, 2 pcs								
Power Pass	OUTPUT to INPUT, 30 VDC 2 Amp								
Earthing Terminal	Yes								

Specifications are subject to change without notice



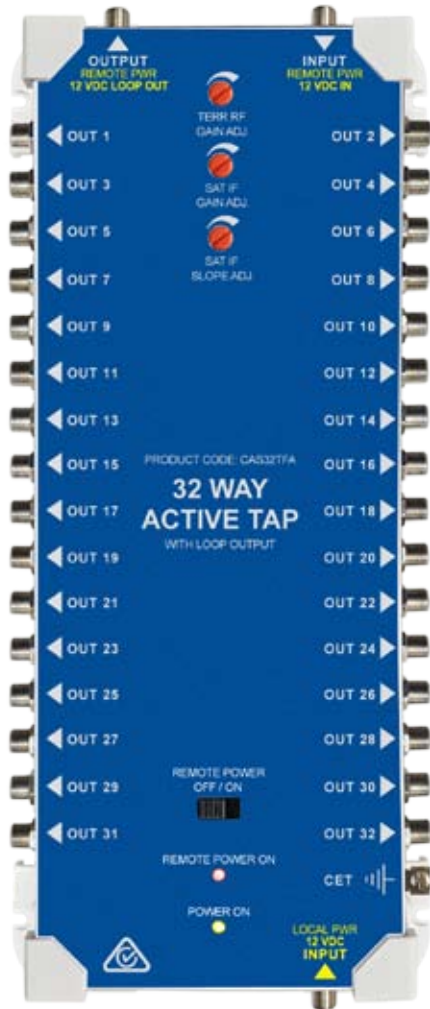
ACTIVE TAP

TAP F TYPE 40 ... 2400 MHz
ACTIVE 32 WAY

FOXTEL: F30971

CAS32TFA

2 AMP RATED



This 32 way active tap has been specifically designed to accommodate the distribution requirements of the multistacker in commercial applications.

FEATURES

- Wall mountable design, simple installation
- High quality housing
- Integrated Level Adjuster for Satellite & Terrestrial
- Integrated Slope Adjustment for Satellite
- Option for Remote Powering and Local Powering [Remote Power Selection Switch with LED Indicator]
- Input and Loop Output for Further Distribution
- Grounding screw for CET [Earthing]

Specifications	CAS32TFA
Input	1
Output	1
Output Through Loss	Terr RF - 1 dB Sat IF - 3.5 dB
TAP Outputs	32
Upper Limit Output Level Terr RF / Sat IF	90 dBµV
FTA Fixed Slope	4 dB
Gain Terr RF: 40 ... 862 MHz	12 dB
Level Adjusting Range: Terr RF	- 12 dB
SAT IF Slope Adjustment Range	0 ... 10 dB
Gain Sat IF: 950 ... 2400 MHz	15 dB
Level Adjusting Range: Sat IF	- 15 dB
Return Loss [Typical]	≥ 12 dB
Port to Port Isolation [Typical]	≥ 30 dB
DC Power Pass	30 VDC 2 Amp
Power Adaptor Input	12 VDC 1 Amp
Power Consumption	300 mA
Ambient Temperature	- 20 ... + 50 °C
Dimensions [mm]	335 x 150 x 40

Specifications are subject to change without notice





SATELLITE

SATELLITE DISH 65 CM OFFSET FIXED (1 PK)

SDJ6502C1

FOXTEL: F30659

SATELLITE DISH 65 CM OFFSET FIXED (4 PK)

SDJ6502C4

FOXTEL: F30659

SATELLITE DISH 65 CM OFFSET FIXED (80 PK)

SDJ6502B

FOXTEL: F30659



SATELLITE DISH 85 CM OFFSET FIXED (1 PK)

SDJ8501C1

FOXTEL: F30126

SATELLITE DISH 85 CM OFFSET FIXED (4 PK)

SDJ8501C4

FOXTEL: F30126

SATELLITE DISH 85 CM OFFSET FIXED (60 PK)

SDJ8501B

FOXTEL: F30126



SATELLITE DISH 90 CM OFFSET FIXED (1 PK)

SDJ90C1

FOXTEL: F10096

SATELLITE DISH 90 CM OFFSET FIXED (10 PK)

SDJ90B

FOXTEL: F10096



SATELLITE DISH 1.2 M OFFSET FIXED (1 PK)

SDJ1/2C1

FOXTEL: F10107

SATELLITE DISH 1.2 M OFFSET FIXED (30 PK)

SDJ1/2B

FOXTEL: F10107



LOW NOISE BLOCKS

LNBF TWIN OFFSET KU LO 10.7 GHz LOW CURRENT

LNBTU-LC

FOXTEL: F30834



LNBF QUAD OFFSET KU LO 10.7 GHz LOW CURRENT

LNBU-LC

FOXTEL: F30553



The outer casing of this LNBF slides down and covers the female ports as added protection against the elements.





SATELLITE MOUNTS

SATELLITE MOUNT TIN ROOF

SBS1

FOXTEL: F10402



SATELLITE MOUNT TIN ROOF SUITS 90 CM DISH MAX.

SBS18

FOXTEL: F10404



SATELLITE MOUNT TIN ROOF FOR 1 M DISH N4 C2 SUITS 1 M ... 1.2 M SATELLITE DISHES

SBS30

SBS13

FOXTEL: F30899



SATELLITE MOUNT WALL SUITS 65, 85 AND 90 CM DISHES

SBS8

FOXTEL: F10407



SATELLITE MOUNT EXTENDED CLEVIS BASE BRACKET

SBS22

FOXTEL: F30784



SATELLITE MOUNT METAL BATTEN ROOF KIT

SBS16

FOXTEL: F10424



SATELLITE MOUNT TILE ROOF

SBS2

FOXTEL: F10403



SATELLITE MOUNT TILE ROOF 90 CM DISH MAX.

SBS19

FOXTEL: F10405



SATELLITE MOUNT TIN ROOF FOR 1.2 M DISH N5 C3 SUITS 1.2 ... 1.5 M SATELLITE DISHES (ADDITIONAL STAY BAR KIT TO SUIT SBS30)

SBS30A

SBS13A

FOXTEL: F30900



SATELLITE MOUNT WALL 90 CM DISH MAX.

SBS12

FOXTEL: F10408



SATELLITE MOUNT DUO CLEAT BRACKET

SBS16A

FOXTEL: F30862



Q HARDWARE ACCESSORIES

HARDWARE CABLE TIES 300 MM (100 PK)

ACT3

FOXTEL: F30073



HARDWARE DYNABOLT 10 MM X 50 MM (50 PK)

AMADB10/50

FOXTEL: F30895



HARDWARE INSULATION TAPE BLACK 20 M

AMAPVC

FOXTEL: F30893



HARDWARE CABLE CLIPS 7 MM (100 PK)

AMA7M

FOXTEL: F30894



HARDWARE SILICONE SEALANT TUBE 300 GRAMS

AMASC

FOXTEL: F30892



TOOLS

TOOL TORQUE FOR F CONNECTORS

TCTT

FOXTEL: F30883



TOOL CABLE INSERTION FOR F CONNECTORS

TCIT

FOXTEL: F30884



TOOL STRIPPER SUITS RG8 RG11 RG213

TCSRG11

FOXTEL: F20677



TOOL RG6 CABLE CUTTER

TCC



TOOL STRIPPER SUITS RG59 RG6 RG6Q

TCSRG6/59

FOXTEL: F10310





TOOLS

TOOL COMPRESSION RG59 RG6 RG11 RCA BNC IEC R/A

TCAIOCT

FOXTEL: F30718



SUITS: RG59, RG6, RG11, BNC, IEC PCT CONNECTORS
[ALSO SUITS RCA & RIGHT ANGLED PCT CONNECTORS NOT PICTURED]

TOOL KIT RG6 COMPRESSION

TKIT4

FOXTEL: APPROVED



TOOL KIT INCLUDES THE FOLLOWING:

- 1 x TOOL COMPRESSION RG59 RG6 RG11 RCA BNC IEC R/a
- 1 x TOOL TORQUE FOR F CONNECTORS
- 1 x TOOL STRIPPER SUITS RG59 RG6 RG6Q
- 1 x TOOL RG6 CABLE CUTTER
- 30 x CONNECTORS F MALE COMPRESSION RG6 FOXTEL UNI LOCKING
- 1 x CARRY CASE TOOL BOX

TOOL COMPRESSION RG59 RG6 ECONOMY

TCTRHCT

FOXTEL: F30973



SUITS: RG59 & RG6 PCT TRS SERIES CONNECTORS ONLY



+61 1300 660 155



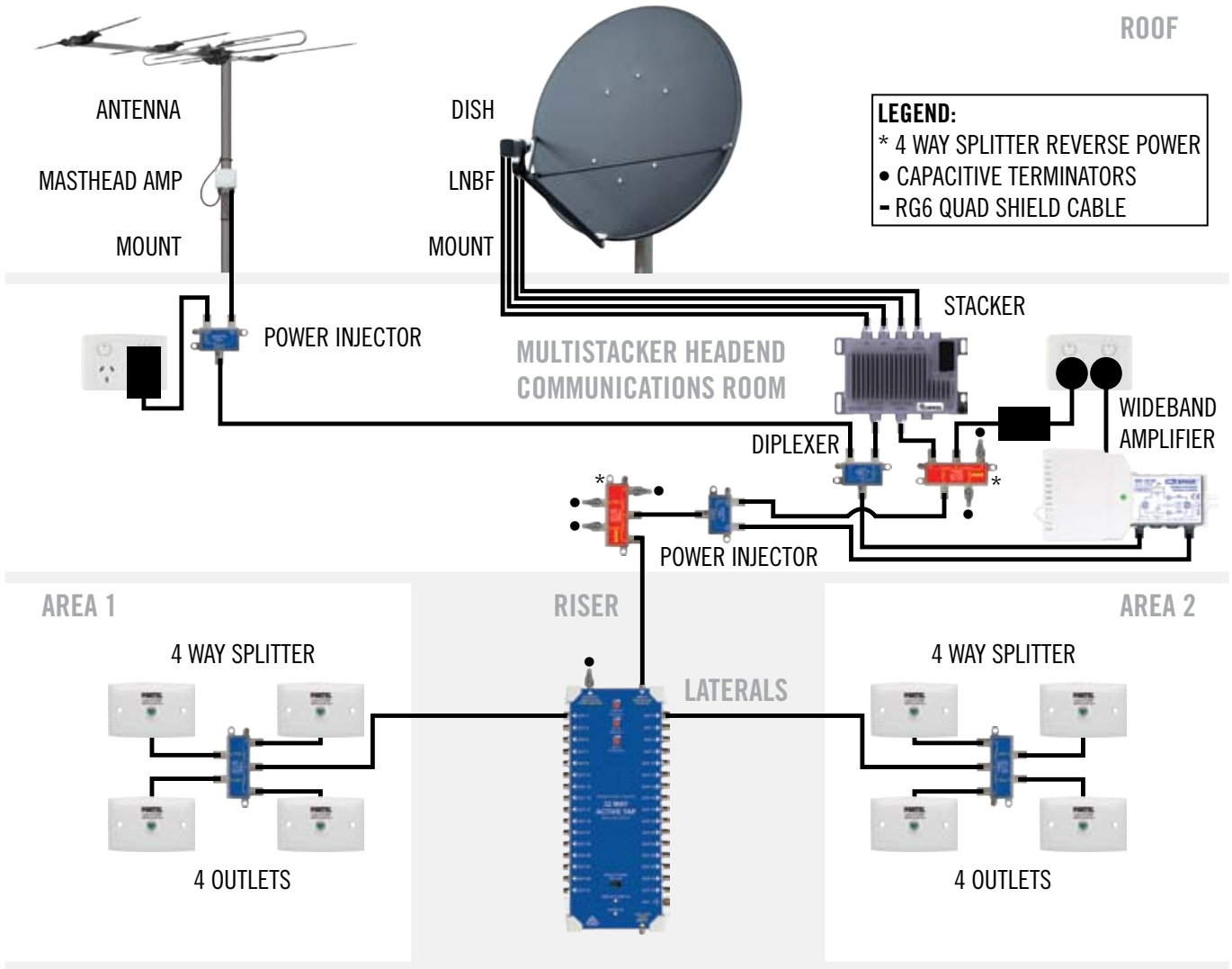
+61 1300 250 407



www.jonsa.com.au



sales@jonsa.com.au



**BILL OF MATERIALS LIST**

PRODUCT CODE: DS/MSD32	DESCRIPTION	QTY
ABEMHAL/P	AMPLIFIER MASTHEAD VHF UHF WITH LTE FILTER AND POWER ADAPTOR	1
AKVY5	ANTENNA VHF YAGI CH 6 ... CH 12 WITH 5 ELEMENTS	1
AMBU	MOUNT FREE TO AIR UNIVERSAL	1
AMBUA	MOUNT STAY BAR TO SUIT AMBU	1
APFTRSF6L	CONNECTORS F MALE COMPRESSION RG6 FOXTEL UNI LOCKING	348
AP02FOX3	OUTLET WALLPLATE F FEMALE TO F FEMALE FOXTEL LOGO	128
AP02P	OUTLET WALLPLATE C CLIP SUITS 2 X 4 PLATE	128
CAS32TFA	TAP ACTIVE 32 WAY F TYPE 5 ... 2400 MHz	1
CAS4FA/MS	SPLITTER 4 WAY F TYPE 5 ... 2400 MHz POWER PASS ALL PORTS OUT-IN 30 VDC 2 AMP	32
CAS4FA/MSRP	SPLITTER 4 WAY F TYPE 5 ... 2400 MHz POWER PASS IN-OUT ALL PORTS 30 VDC 2 AMP	2
CRG6UBQ	CABLE COAXIAL RG6 QUAD BLACK WOODEN DRUM 305 M	x
DS/MS	STACKER 4 SAT IF INPUTS WITH 1 RF MULTISTACKED OUTPUT	1
DS/MSPI	POWER INJECTOR TO MS RANGE 30 VDC 2 AMP	2
DS/SBV125NF	AMPLIFIER SPLITBAND 5 ... 2400 MHz WITH GAIN CONTROL	1
DS/ZFR75DC/SET	F TYPE 75 Ω CAPACITIVE TERMINATOR (2 PK)	2
DSTD/MS	DIPLEXER SATELLITE & FTA F TYPE - POWER PASS 30 VDC 2 AMP	1
LNBQU-LC	LNBF QUAD OFFSET KU LO 10.7 GHz LOW CURRENT	1
SBS18	SATELLITE MOUNT TIN ROOF SUITS 90 CM DISH MAX.	1
SDJ90C1	SATELLITE DISH 90 CM OFFSET FIXED (1 PK)	1

BILL OF MATERIALS LIST

The RG6 Quad Shield Cable has not been specified with a drum quantity, this will need to be determined by the installer as the cable runs vary from building to building. Two (2) capacitive terminators are supplied with the Multistacker, they can be used to terminate the first reverse power 4 way splitter. The bill of materials list provides the exact quantities required for the installation. Please note when purchasing, the pack order quantities will apply. Refer to the list below, with the pack order quantities as we are unable to break packaged quantities.

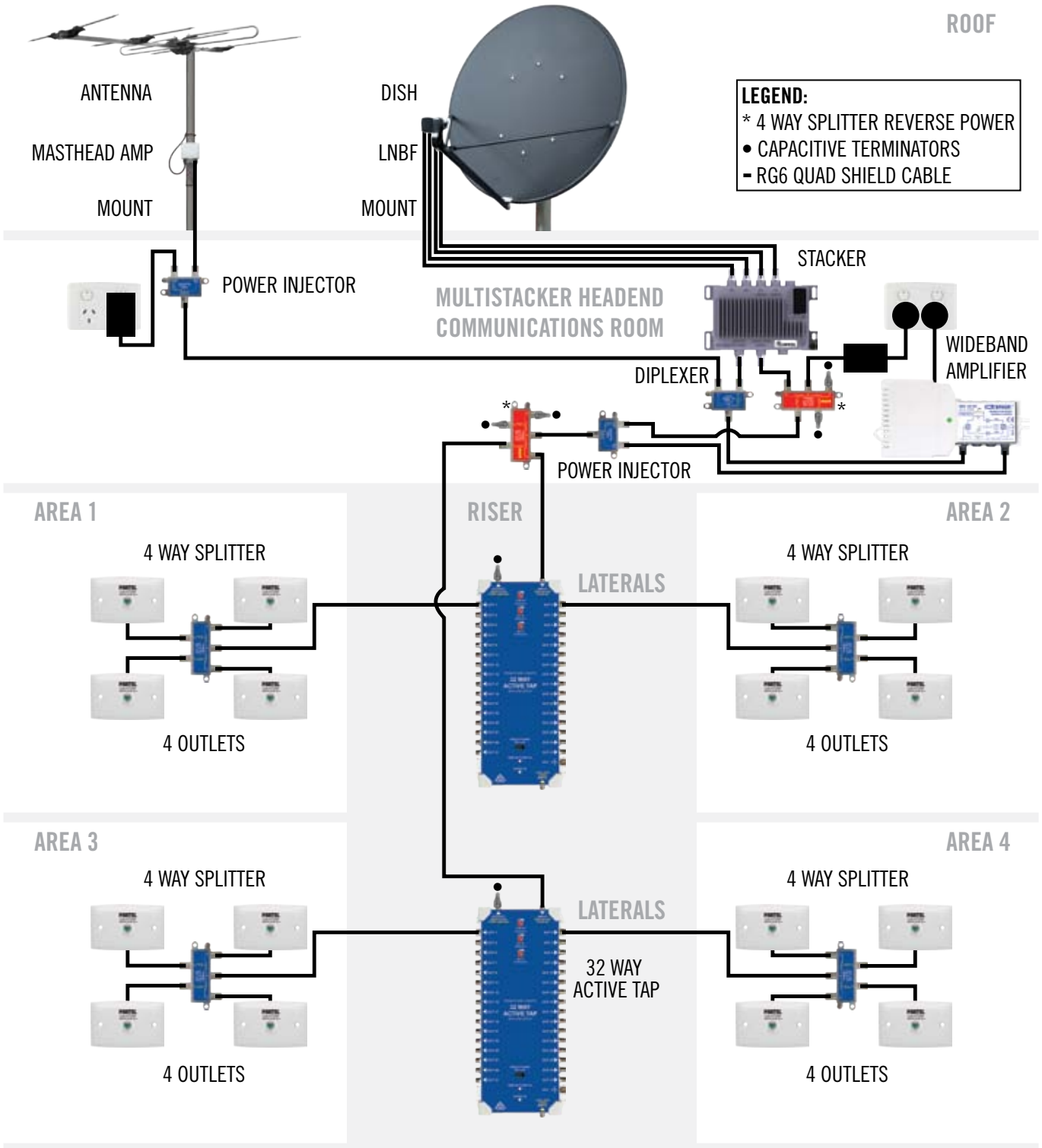
PACK ORDER QUANTITIES

PRODUCT CODE	DESCRIPTION	QTY
AKVY5	ANTENNA VHF YAGI CH 6 ... CH 12 WITH 5 ELEMENTS	5
AMBU	MOUNT FREE TO AIR UNIVERSAL	5
AMBUA	MOUNT STAY BAR TO SUIT AMBU	5
APFTRSF6L	CONNECTORS F MALE COMPRESSION RG6 FOXTEL UNI LOCKING	50
AP02FOX3	OUTLET WALLPLATE F FEMALE TO F FEMALE FOXTEL LOGO	10
AP02P	OUTLET WALLPLATE C CLIP SUITS 2 X 4 PLATE	10
CAS4FA/MS	SPLITTER 4 WAY F TYPE 5 ... 2400 MHz POWER PASS ALL PORTS OUT-IN 30 VDC 2 AMP	10
CAS4FA/MSRP	SPLITTER 4 WAY F TYPE 5 ... 2400 MHz POWER PASS IN-OUT ALL PORTS 30 VDC 2 AMP	10

MULTISTACKER DISTRIBUTION DISCLAIMER

It is imperative that all earthing terminals on all products are grounded using 2.5mm earthing wire back to the CET as per ACMA and Open Registration Cablers requirements along with the Australian Standard.

This distribution example is a working concept, however, it is the installers responsibility to ensure that all frequency input/output levels, MER, BER along with the slope, complies with FOXTEL multistacker installation guidelines when submitting the test results for final commissioning.





BILL OF MATERIALS LIST

PRODUCT CODE: DS/MSD64	DESCRIPTION	QTY
ABEMHAL/P	AMPLIFIER MASTHEAD VHF UHF WITH LTE FILTER AND POWER ADAPTOR	1
AKVY5	ANTENNA VHF YAGI CH 6 ... CH 12 WITH 5 ELEMENTS	1
AMBU	MOUNT FREE TO AIR UNIVERSAL	1
AMBUA	MOUNT STAY BAR TO SUIT AMBU	1
APFTRSF6L	CONNECTORS F MALE COMPRESSION RG6 FOXTEL UNI LOCKING	670
AP02FOX3	OUTLET WALLPLATE F FEMALE TO F FEMALE FOXTEL LOGO	256
AP02P	OUTLET WALLPLATE C CLIP SUITS 2 X 4 PLATE	256
CAS32TFA	TAP ACTIVE 32 WAY F TYPE 5 ... 2400 MHz	2
CAS4FA/MS	SPLITTER 4 WAY F TYPE 5 ... 2400 MHz POWER PASS ALL PORTS OUT-IN 30 VDC 2 AMP	64
CAS4FA/MSRP	SPLITTER 4 WAY F TYPE 5 ... 2400 MHz POWER PASS IN-OUT ALL PORTS 30 VDC 2 AMP	2
CRG6UBQ	CABLE COAXIAL RG6 QUAD BLACK WOODEN DRUM 305 M	x
DS/MS	STACKER 4 SAT IF INPUTS WITH 1 RF MULTISTACKED OUTPUT	1
DS/MSPI	POWER INJECTOR TO MS RANGE 30 VDC 2 AMP	2
DS/SBV125NF	AMPLIFIER SPLITBAND 5 ... 2400 MHz WITH GAIN CONTROL	1
DS/ZFR75DC/SET	F TYPE 75 Ω CAPACITIVE TERMINATOR (2 PK)	2
DSTD/MS	DIPLEXER SATELLITE & FTA F TYPE - POWER PASS 30 VDC 2 AMP	1
LNBQU-LC	LNBF QUAD OFFSET KU LO 10.7 GHz LOW CURRENT	1
SBS18	SATELLITE MOUNT TIN ROOF SUITS 90 CM DISH MAX.	1
SDJ90C1	SATELLITE DISH 90 CM OFFSET FIXED (1 PK)	1

BILL OF MATERIALS LIST

The RG6 Quad Shield Cable has not been specified with a drum quantity, this will need to be determined by the installer as the cable runs vary from building to building. Two (2) capacitive terminators are supplied with the Multistacker, they can be used to terminate the first reverse power 4 way splitter. The bill of materials list provides the exact quantities required for the installation. Please note when purchasing, the pack order quantities will apply. Refer to the list below, with the pack order quantities as we are unable to break packaged quantities.

PACK ORDER QUANTITIES

PRODUCT CODE	DESCRIPTION	QTY
AKVY5	ANTENNA VHF YAGI CH 6 ... CH 12 WITH 5 ELEMENTS	5
AMBU	MOUNT FREE TO AIR UNIVERSAL	5
AMBUA	MOUNT STAY BAR TO SUIT AMBU	5
APFTRSF6L	CONNECTORS F MALE COMPRESSION RG6 FOXTEL UNI LOCKING	50
AP02FOX3	OUTLET WALLPLATE F FEMALE TO F FEMALE FOXTEL LOGO	10
AP02P	OUTLET WALLPLATE C CLIP SUITS 2 X 4 PLATE	10
CAS4FA/MS	SPLITTER 4 WAY F TYPE 5 ... 2400 MHz POWER PASS ALL PORTS OUT-IN 30 VDC 2 AMP	10
CAS4FA/MSRP	SPLITTER 4 WAY F TYPE 5 ... 2400 MHz POWER PASS IN-OUT ALL PORTS 30 VDC 2 AMP	10

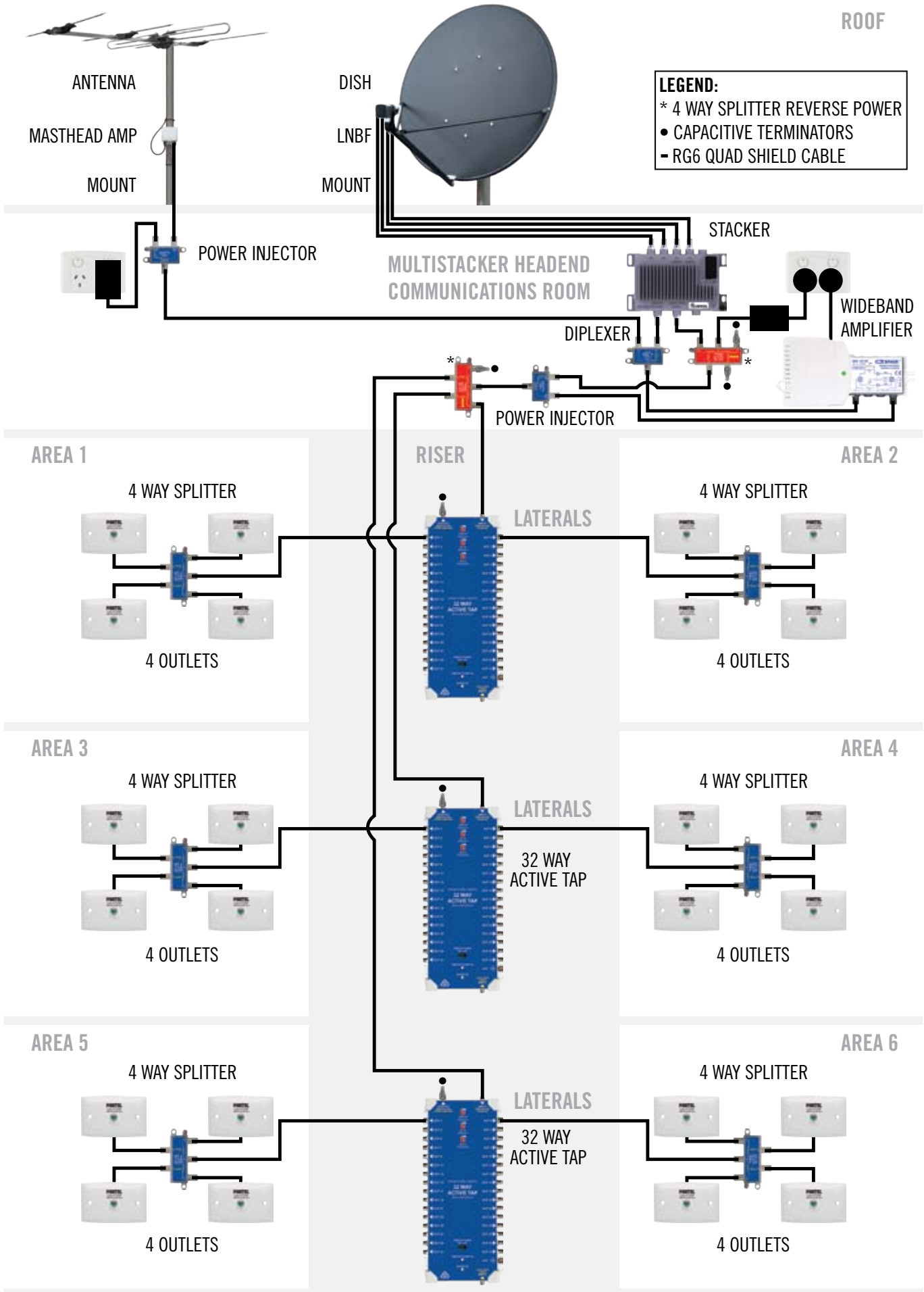
MULTISTACKER DISTRIBUTION DISCLAIMER

It is imperative that all earthing terminals on all products are grounded using 2.5mm earthing wire back to the CET as per ACMA and Open Registration Cablers requirements along with the Australian Standard.

This distribution example is a working concept, however, it is the installers responsibility to ensure that all frequency input/output levels, MER, BER along with the slope, complies with FOXTEL multistacker installation guidelines when submitting the test results for final commissioning.



DS/MSD96: 384 OUTLETS WITH EXPANSION IF REQUIRED - LARGE MDU





BILL OF MATERIALS LIST

PRODUCT CODE: DS/MSD96	DESCRIPTION	QTY
ABEMHAL/P	AMPLIFIER MASTHEAD VHF UHF WITH LTE FILTER AND POWER ADAPTOR	1
AKVY5	ANTENNA VHF YAGI CH 6 ... CH 12 WITH 5 ELEMENTS	1
AMBU	MOUNT FREE TO AIR UNIVERSAL	1
AMBUA	MOUNT STAY BAR TO SUIT AMBU	1
APFTRSF6L	CONNECTORS F MALE COMPRESSION RG6 FOXTEL UNI LOCKING	992
AP02FOX3	OUTLET WALLPLATE F FEMALE TO F FEMALE FOXTEL LOGO	384
AP02P	OUTLET WALLPLATE C CLIP SUITS 2 X 4 PLATE	384
CAS32TFA	TAP ACTIVE 32 WAY F TYPE 5 ... 2400 MHz	3
CAS4FA/MS	SPLITTER 4 WAY F TYPE 5 ... 2400 MHz POWER PASS ALL PORTS OUT-IN 30 VDC 2 AMP	96
CAS4FA/MSRP	SPLITTER 4 WAY F TYPE 5 ... 2400 MHz POWER PASS IN-OUT ALL PORTS 30 VDC 2 AMP	2
CRG6UBQ	CABLE COAXIAL RG6 QUAD BLACK WOODEN DRUM 305 M	x
DS/MS	STACKER 4 SAT IF INPUTS WITH 1 RF MULTISTACKED OUTPUT	1
DS/MSPI	POWER INJECTOR TO MS RANGE 30 VDC 2 AMP	2
DS/SBV125NF	AMPLIFIER SPLITBAND 5 ... 2400 MHz WITH GAIN CONTROL	1
DS/ZFR75DC/SET	F TYPE 75 Ω CAPACITIVE TERMINATOR (2 PK)	2
DSTD/MS	DIPLEXER SATELLITE & FTA F TYPE - POWER PASS 30 VDC 2 AMP	1
LNBQU-LC	LNB QUAD OFFSET KU LO 10.7 GHz LOW CURRENT	1
SBS18	SATELLITE MOUNT TIN ROOF SUITS 90 CM DISH MAX.	1
SDJ90C1	SATELLITE DISH 90 CM OFFSET FIXED (1 PK)	1

BILL OF MATERIALS LIST

The RG6 Quad Shield Cable has not been specified with a drum quantity, this will need to be determined by the installer as the cable runs vary from building to building. Two (2) capacitive terminators are supplied with the Multistacker, they can be used to terminate the first reverse power 4 way splitter. The bill of materials list provides the exact quantities required for the installation. Please note when purchasing, the pack order quantities will apply. Refer to the list below, with the pack order quantities as we are unable to break packaged quantities.

PACK ORDER QUANTITIES

PRODUCT CODE	DESCRIPTION	QTY
AKVY5	ANTENNA VHF YAGI CH 6 ... CH 12 WITH 5 ELEMENTS	5
AMBU	MOUNT FREE TO AIR UNIVERSAL	5
AMBUA	MOUNT STAY BAR TO SUIT AMBU	5
APFTRSF6L	CONNECTORS F MALE COMPRESSION RG6 FOXTEL UNI LOCKING	50
AP02FOX3	OUTLET WALLPLATE F FEMALE TO F FEMALE FOXTEL LOGO	10
AP02P	OUTLET WALLPLATE C CLIP SUITS 2 X 4 PLATE	10
CAS4FA/MS	SPLITTER 4 WAY F TYPE 5 ... 2400 MHz POWER PASS ALL PORTS OUT-IN 30 VDC 2 AMP	10
CAS4FA/MSRP	SPLITTER 4 WAY F TYPE 5 ... 2400 MHz POWER PASS IN-OUT ALL PORTS 30 VDC 2 AMP	10

MULTISTACKER DISTRIBUTION DISCLAIMER

It is imperative that all earthing terminals on all products are grounded using 2.5mm earthing wire back to the CET as per ACMA and Open Registration Cablers requirements along with the Australian Standard.

This distribution example is a working concept, however, it is the installers responsibility to ensure that all frequency input/output levels, MER, BER along with the slope, complies with FOXTEL multistacker installation guidelines when submitting the test results for final commissioning.



NOTES



Head Office

Lidcombe Business Park,
Unit D2,
3 - 29 Birnie Avenue,
Lidcombe
NSW 2141
Australia

PO Box 6147,
Silverwater
NSW 1811
Australia

WA branch

Unit 1,
7 Mallaig Way,
Canning Vale
WA 6155
Australia

 saleswa@jonsa.com.au